

CATALOGUE 2019-2020



OUR INNOVATION,
YOUR REALITY





Warranty period for chairs/lounges



Weight rating for individual chairs/lounges*



Fully imported Chairs, lounges, parts and components.

AFRDI 142
Certification



ARFDI rating for multi shift use and 160kg weight limit.



The Performance criteria adopted for certification by Furntech is based on Australian standards, e.g. Level 6 - Severe commercial and heavy industrial.*

**Weight limits are self-rated by Style Ergonomic Australia.
AFRDI approved chairs are normally rated to 110kg.*



Furntech is an independent not-for-profit technical organisation providing standards, testing product certification and research for buyers and sellers of furniture.



BIFMA is a third-party certification program that provides manufacturers with valuable feedback for evaluating the environmental, human, and social impacts of their furniture products for manufacturing, facility, and organization.

R1 - TASK SEATING

Intro range	4
Yarra range	6
Rio range	8
P350 range	10
Aqua range	14
Click range	16
Expo range	18
TR600 range	20
Hino range	22
Spot range	24

R2 - BOARDROOM SEATING

Rexi range	26
Gala range	28
Swing range	30
Chevy range	32

R3 - MULTI SHIFT SEATING

Oyster range	34
Logan rang	36
Rover range	38
Ranger range	40

R4- EXECUTIVE SEATING

Hilton range	42
Cruz range	44
Centro range	46
Cleo range	48
Web range	50
Sting range	54
Hume range	56
Venus range	58
Boston range	60
Camry range	62
Ohio range	64
Dilma range	66
Grand range	68
Flash range	70
Zodiac range	72
Ergo1 range	74
Evita range	76
Enzo range	80
Magnum range	82

R5 - HOSPITALITY SEATING

Neo range	84
Rose range	86
Dona range	88
Focus range	90
Vinn range	92
Pod range	96

R6 - BEAM SEATING

Focus beam range	104
Vinn beam range	106
Pod beam range	110

R7 - BREAKOUT SEATING

Raven range	114
Lori range	116
Oscar range	118
Dell range	120
Demo range	122
Tonic range	124
Hula range	126
Techno range	128

R8 - SOFT SEATING

Orion range	130
Ruby range	132
Rivet range	134
Jaden range	136
Plaza range	138
Roxa range	140
Blitz range	142

R9 - INDUSTRIAL STOOLS

Industrial stools	144
-------------------------	-----

R10 - ADJUSTABLE TABLES

Ergo lift	148
-----------------	-----



R1 INTRO



TASK SEATING



WARRANTY **4** Year

WEIGHT LIMIT **120** Kilogram

IMPORTED

COLOUR



Black Blue Red Green

FEATURES

- » Adjustable seat height
- » Adjustable weight tension
- » 600mm Heavy duty 5 star base
- » Fixed arms
- » Butterfly mechanism
- » 4 Year warranty
- » Weight limit is 120kg

INTRO



INTRO-BLACK



INTRO-BLUE

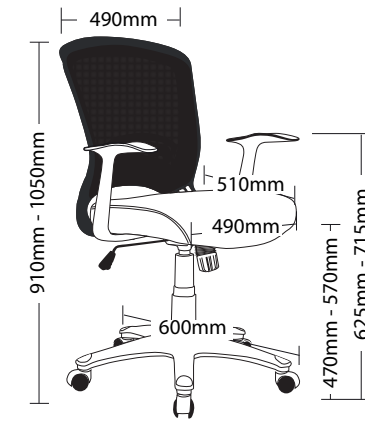


INTRO-RED



INTRO-GREEN

SIZE



INTRO

INSTRUCTIONS OF USE



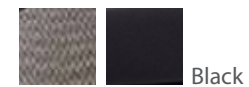
R1 YARRA



TASK SEATING



COLOUR



FEATURES

- » Adjustable seat height
- » Adjustable back height
- » Adjustable weight tension
- » 3 Lever ergonomic mechanism
- » 600mm Heavy duty 5 star base
- » Fixed arms
- » Available in black only
- » 4 Year warranty
- » Weight limit is 120kg

YARRA



YARRA

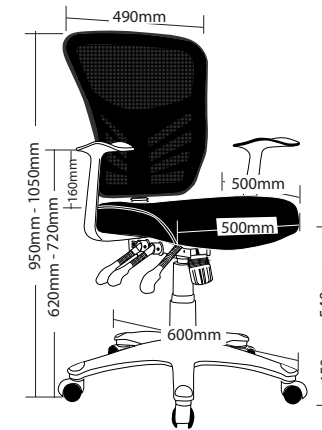


Side view



Back view

SIZE



YARRA

INSTRUCTIONS OF USE



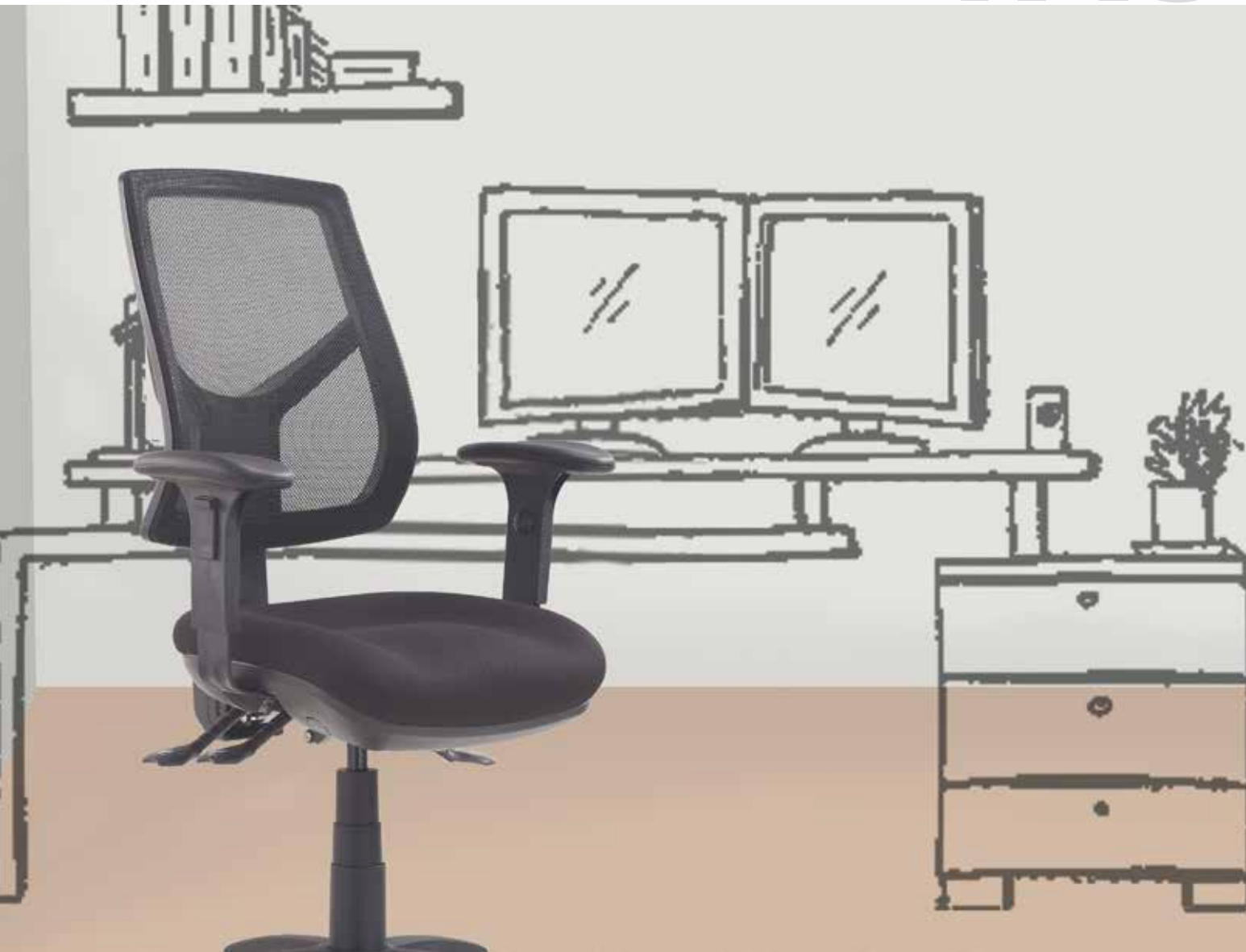
Five-star Base and Castors
Use soft tyred castors for tiles
Use hard tyred castors for carpet

Do not use as a step ladder

R1 RIO



TASK SEATING



COLOUR



MB-Metro Black

FEATURES

- » Adjustable seat height
- » Adjustable back height (ratchet)
- » Adjustable seat and back angle
- » Back available in two sizes
- » Moulded seat foam
- » Mesh back
- » 3 Lever ergonomic mechanism
- » Optional adjustable arms
- » 600mm Black nylon base
- » Available in Metro black only
- » Minor assembly required
- » AFRDI tested to level 6
- » 7 Year warranty
- » Weight limit is 130kg

RIO



RIO-HC-MB



RIO-H-MB

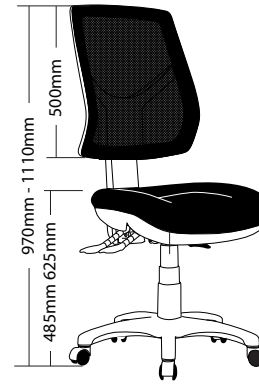


RIO-LC-MB

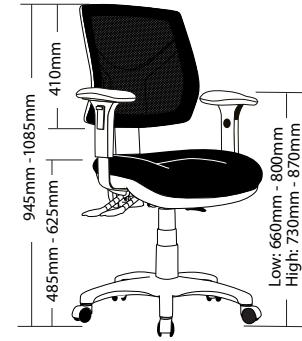


RIO-L-MB

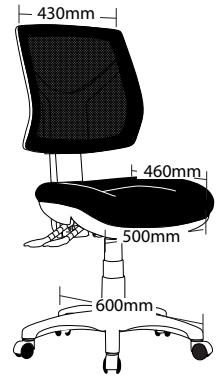
SIZE



RIO-H



RIO-LC



RIO-L

INSTRUCTIONS OF USE



R1 P350



TASK SEATING



COLOUR



MB- Metro black



MI- Metro ink

FEATURES

- » Adjustable seat height
- » Adjustable back height
- » Adjustable seat and back angle
- » Moulded seat and back foam
- » 3 Lever ergonomic mechanism
- » Optional adjustable arms
- » 600mm Black nylon base
- » Available in Metro black and Metro ink only
- » Minor assembly required
- » AFRDI tested to level 6
- » 7 Year warranty
- » Weight limit is 130kg

P350



P350C-MB



P350C-MI

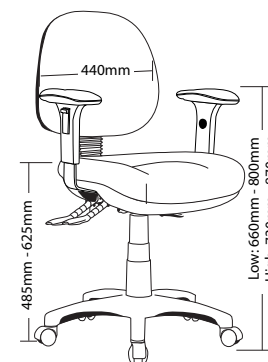


P350-MB

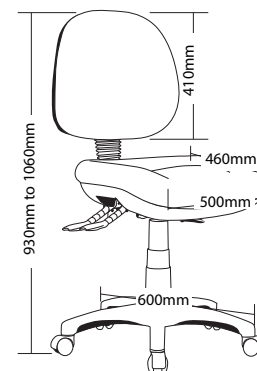


P350-MI

SIZE



P350C



P350

INSTRUCTIONS OF USE

» On next page







P350H



COLOUR

-  MB- Metro black
-  MI- Metro ink

FEATURES

- » Adjustable seat height
- » Adjustable back height
- » Adjustable seat and back angle
- » Moulded seat and back foam
- » 3 Lever ergonomic mechanism
- » Optional adjustable arms
- » 600mm Black nylon base
- » Available in Metro black and Metro ink only
- » Minor assembly required
- » AFRDI tested to level 6
- » 7 Year warranty
- » Weight limit is 130kg



P350HC-MI



P350HC-MB

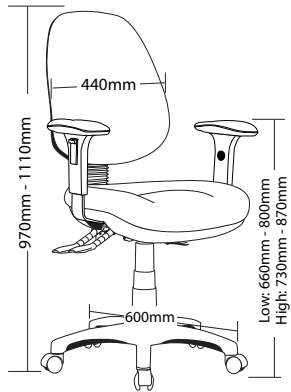


P350H-MI

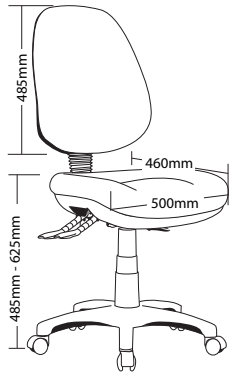


P350H-MB

SIZE



P350HC



P350H

INSTRUCTIONS OF USE



R1 AQUA

TASK SEATING



COLOUR



MB- Metro black

FEATURES

- » Adjustable seat height
- » Adjustable back height (ratchet)
- » Adjustable seat and back angle
- » Moulded seat and back foam
- » Back available in two sizes
- » 3 Lever ergonomic mechanism
- » Optional adjustable arms
- » 600mm Black nylon base
- » Available in Metro black only
- » Minor assembly required
- » AFRDI tested to level 6
- » 7 Year warranty
- » Weight limit is 130kg

AQUA



AQUA-HC-MB



AQUA-H-MB

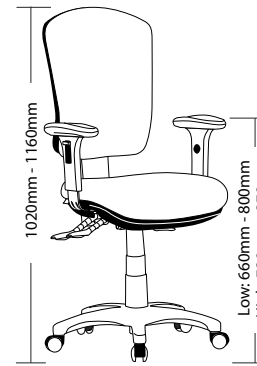


AQUA-LC-MB

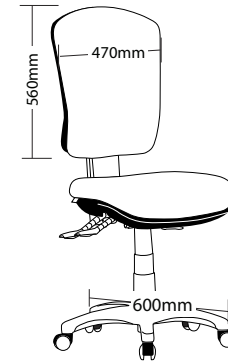


AQUA-L-MB

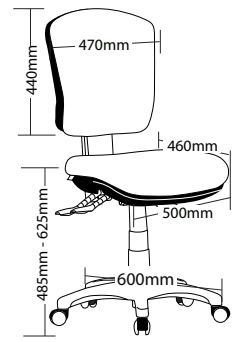
SIZE



AQUA-HC-MB



AQUA-H-MB



AQUA-L-MB

INSTRUCTIONS OF USE



R1 CLICK

TASK SEATING



COLOUR



MB- Metro black

FEATURES

- » Adjustable seat height
- » Adjustable back height (ratchet)
- » Adjustable seat and back angle
- » Moulded seat and back foam
- » Back available in two sizes
- » 3 Lever ergonomic mechanism
- » Optional adjustable arms
- » 660mm Black nylon base
- » Available in Metro black only
- » Minor assembly required
- » Square seat
- » AFRDI tested to level 6
- » 7 Year warranty
- » Weight limit is 130kg

CLICK



CLICK-HC-MB



CLICK-H-MB

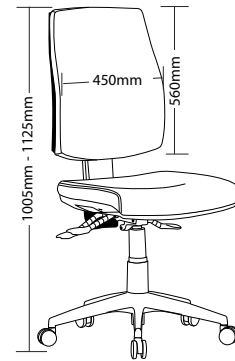


CLICK-LC-MB

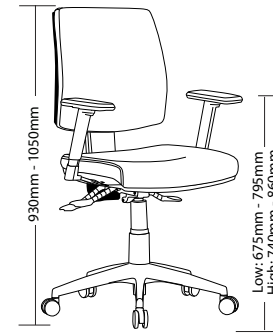


CLICK-L-MB

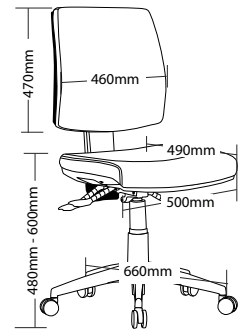
SIZE



CLICK-H-MB



CLICK-LC-MB



CLICK-L-MB

INSTRUCTIONS OF USE



TASK SEATING



COLOUR



MB-Metro black

FEATURES

- » Adjustable seat height
- » Adjustable back height (ratchet)
- » Adjustable seat and back angle
- » Moulded seat foam
- » Back available in two sizes
- » 3 Lever ergonomic mechanism
- » Optional adjustable arms
- » 660mm Black nylon base
- » Available in Metro black only
- » Minor assembly required
- » AFRDI tested to level 6
- » 7 Year warranty
- » Weight limit is 130kg

EXPO



EXPO-HC-MB



EXPO-H-MB

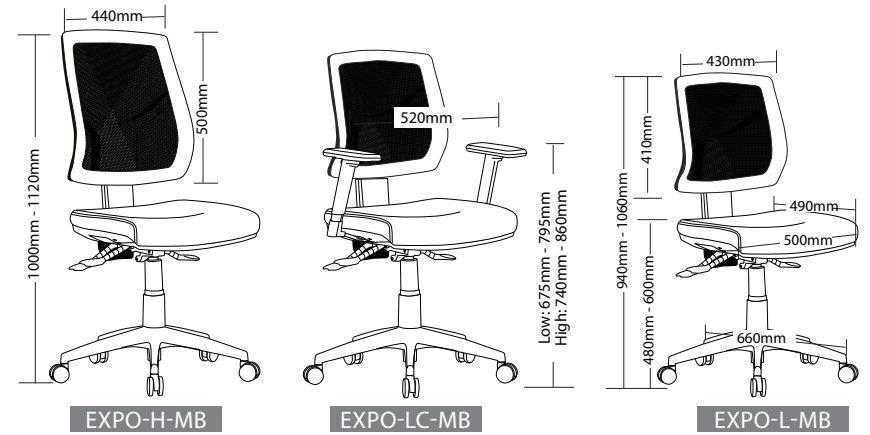


EXPO-LC-MB



EXPO-L-MB

SIZE



INSTRUCTIONS OF USE

To adjust back height hold back with two hands while seated and raise to desired height
To lower the back height raise back all the way to the top and release slowly

Optional Adjustable Arms

Right Back Lever
To adjust back angle

Right Front Lever
To adjust seat height

Left Lever
To adjust seat angle

Five-star Base and Castors
Use soft tyred castors for tiles
Use hard tyred castors for carpet

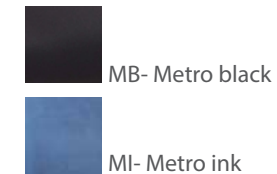
Do not use as a step ladder

R1 TR600

TASK SEATING



COLOUR



FEATURES

- » Adjustable seat height
- » Adjustable back height (ratchet)
- » Adjustable seat and back angle
- » Adjustable weight tension
- » Moulded seat and back foam
- » Mega big boy seat
- » 3 Lever heavy duty ergonomic mechanism
- » Optional adjustable arms
- » 700mm Black nylon base
- » Available in Metro black and Metro ink only
- » Minor assembly required
- » Chair not available with drafting kit
- » AFRDI tested to level 6
- » 7 Year warranty
- » Weight limit is 140kg

TR600



TR600C-MI



TR600C-MB

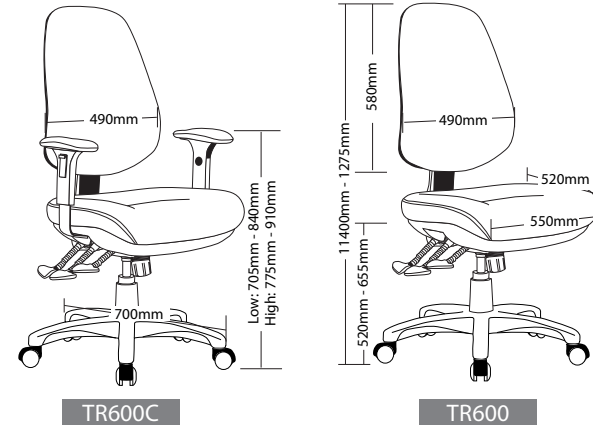


TR600-MI



TR600-MB

SIZE



INSTRUCTIONS OF USE



R1 HINO

TASK SEATING



COLOUR



MB-Metro Black

FEATURES

- » Adjustable seat height
- » Adjustable back height (ratchet)
- » Adjustable seat and back angle
- » Adjustable weight tension
- » Moulded seat foam
- » Mega big boy seat
- » Mesh back
- » 3 Lever heavy duty ergonomic mechanism
- » Optional adjustable arms
- » 700mm Black nylon base
- » Available in Metro black only
- » Minor assembly required
- » Chair not available with drafting kit
- » AFRDI tested to level 6
- » 7 Year warranty
- » Weight limit is 140kg

HINO



HINO-C-MB

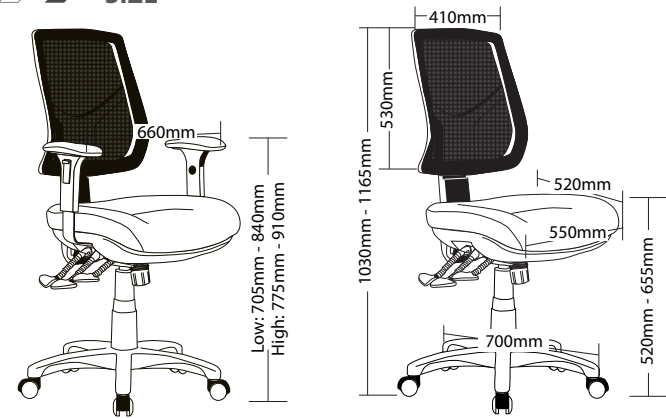


HINO-MB



HINO-MB
Back view

SIZE



HINO-C

HINO

INSTRUCTIONS OF USE



R1 SPOT



TASK SEATING



COLOUR



MB- Metro black



MI- Metro ink

FEATURES

- » Adjustable seat height
- » Adjustable back height (ratchet)
- » Adjustable seat and back angle
- » Adjustable weight tension
- » Moulded seat and back foam
- » Mega big boy seat
- » 3 Lever heavy duty ergonomic mechanism
- » Optional adjustable arms
- » 700mm Black nylon base
- » Available in Metro black and Metro ink only
- » Minor assembly required
- » Chair not available with drafting kit
- » AFRDI tested to level 6
- » 7 Year warranty
- » Weight limit is 140kg

SPOT



SPOT-C-MI



SPOT-C-MB

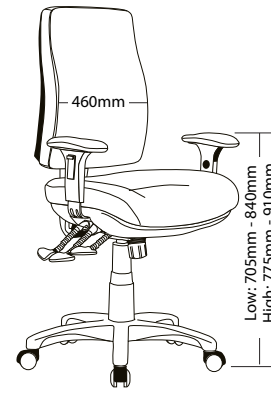


SPOT-MI

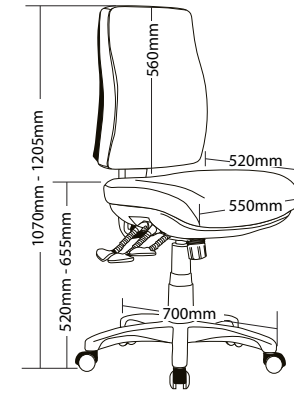


SPOT-MB

SIZE



SPOT-C



SPOT

INSTRUCTIONS OF USE



R2 REXI

BOARDROOM SEATING



COLOUR



FEATURES

- » Adjustable seat height
- » Adjustable seat and back angle
- » Adjustable weight tension
- » Mesh back
- » Fixed nylon arms
- » Knee tilt mechanism with 3 locking positions
- » 680mm Black nylon base
- » Available in black only
- » 4 Year warranty
- » Weight limit is 120kg

REXI



REXI

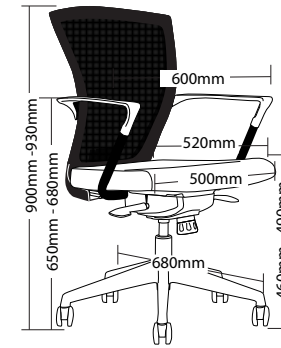


Back View



Side View

SIZE



REXI

INSTRUCTIONS OF USE



Five-star Base and Castors
Use soft tyred castors for tiles
Use hard tyred castors for carpet

✗ Do not use as a step ladder



R2 GALA

BOARDROOM SEATING



COLOUR



FEATURES

- » Adjustable seat height
- » Adjustable seat and back angle
- » Adjustable weight tension
- » Mesh black
- » Fixed arms
- » Knee tilt mechanism with 3 locking positions
- » 700mm Black nylon base
- » Available in black only
- » 5 Year warranty
- » Weight limit is 120kg

GALA



GALA

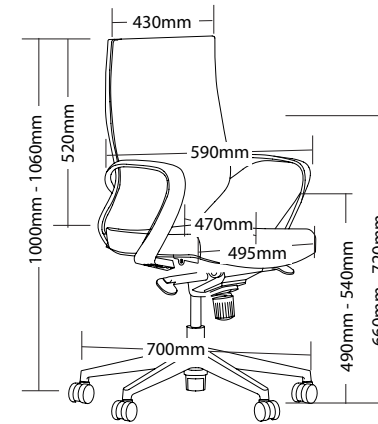


Back View



Side View

SIZE



GALA

INSTRUCTIONS OF USE



R2 SWING

BOARDROOM SEATING



COLOUR



Black PU



FEATURES

- » Fixed chrome arms
- » 640mm Heavy duty chrome 5 star base
- » Swivel only seat plate
- » Self centering gas spring
- » Available in black PU only
- » 4 Year warranty
- » Weight limit is 120kg

SWING



SWING

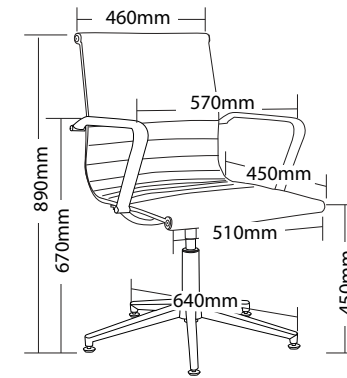


Back view



Low angle

SIZE



SWING

INSTRUCTIONS OF USE



R2 CHEVY

BOARDROOM SEATING



COLOUR



FEATURES

- » Adjustable seat height
- » Adjustable seat and back angle
- » Adjustable weight tension
- » Mesh back
- » Fixed arms
- » Knee tilt mechanism with 3 locking positions
- » 700mm Black nylon base
- » Available in black only
- » 5 Year warranty
- » Weight limit is 120kg

CHEVY



CHEVY

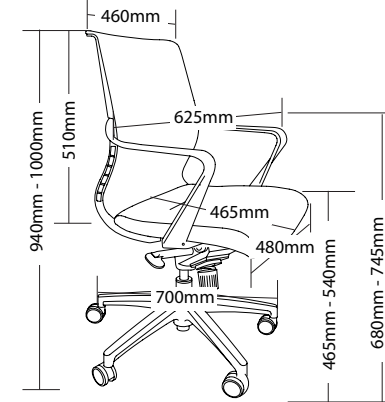


Back View



Side View

SIZE



CHEVY

INSTRUCTIONS OF USE



R3 OYSTER

MULTISHIFT SEATING



COLOUR



FEATURES

- » Adjustable seat height
- » Adjustable seat depth
- » Adjustable seat and back angle
- » Adjustable arms
- » Moulded seat foam
- » Mesh back
- » 700mm Aluminium base
- » Low back only has ratchet back
- » 4 Lever ergonomic mechanism
- » Available in black only
- » 10 Year warranty
- » Weight limit is 140kg

OYSTER



OYEX1H

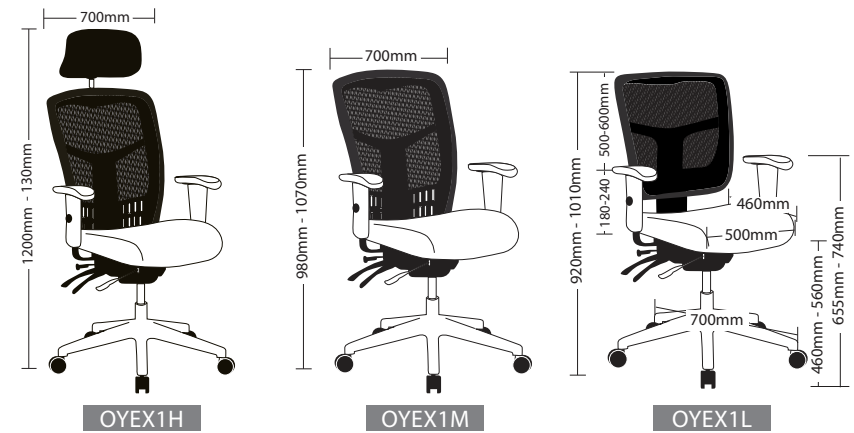


OYEX1M



OYEX1L

SIZE



INSTRUCTIONS OF USE



R3 LOGAN

MULTISHIFT

SEATING



COLOUR



Black fabric

FEATURES

- » Adjustable seat height
- » Adjustable back height (ratchet)
- » Adjustable seat and back angle
- » Adjustable weight tension
- » Adjustable arms
- » Moulded seat and back foam
- » 4 Lever ergonomic mechanism
- » 700mm Black nylon base
- » Available in low and high back
- » Available in black fabric only
- » 10 Year warranty
- » Weight limit is 140kg

LOGAN

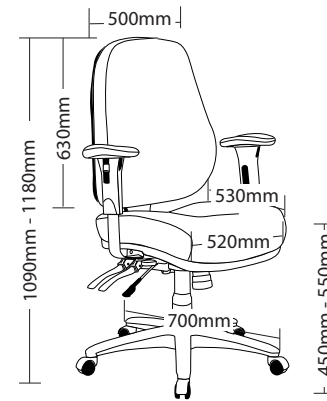


LOGAN-H

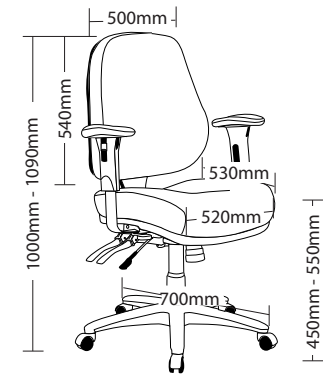


LOGAN-L

SIZE



LOGAN-H



LOGAN-L

INSTRUCTIONS OF USE

To adjust back height hold back with two hands while seated and raise to desired height
 To lower the back height raise back all the way to the top and release slowly



R3 ROVER

MULTISHIFT SEATING



COLOUR



Black leather

FEATURES

- » Adjustable seat height
- » Adjustable back height (ratchet)
- » Adjustable seat and back angle
- » Adjustable weight tension
- » Adjustable arms
- » Moulded seat and back foam
- » 4 Lever ergonomic mechanism
- » 700mm Black nylon base
- » Available in low and high back
- » Available in black leather only
- » 10 Year warranty
- » Weight limit is 140kg

ROVER

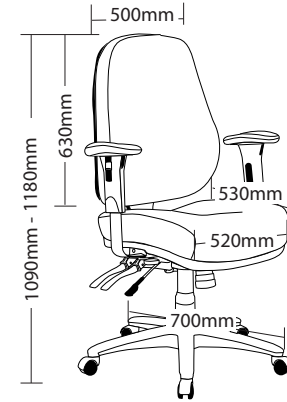


ROVER-1HA

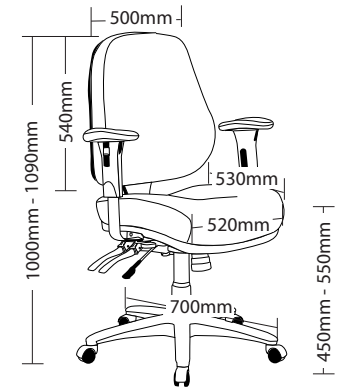


ROVER-1LA

SIZE



ROVER-1HA



ROVER-1LA

INSTRUCTIONS OF USE

To adjust back height hold back with two hands while seated and raise to desired height
 To lower the back height raise back all the way to the top and release slowly



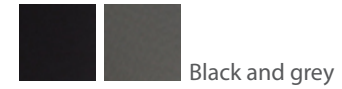
R3 RANGER

MULTISHIFT

SEATING



COLOUR



FEATURES

- » Adjustable seat height
- » Adjustable seat depth
- » Adjustable seat and back angle
- » Adjustable headrest
- » Adjustable arms
- » Adjustable weight tension
- » Moulded seat and back foam
- » Synchron mechanism with 3 locking positions
- » Double steel strengthened for both seat and back
- » Saddle seat
- » 720mm Aluminium base
- » Available in black and grey only
- » AFRDI tested to level 6
- » AFRDI tested to multi shift use 160kg
- » 7 Year warranty
- » Weight limit is 160kg

RANGER



AFRDI 142 Certification
AFRDI 142
160KG
MULTI SHIFT USE

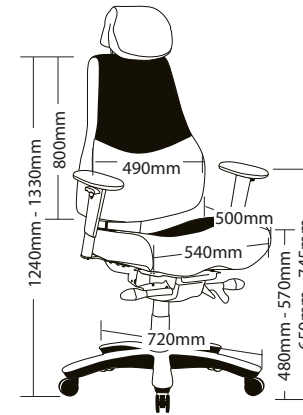


RANGER



Back View

SIZE



RANGER

INSTRUCTIONS OF USE



R4 HILTON

EXECUTIVE SEATING



» COLOUR



Black PU

» FEATURES

HILTON-H/ HILTON-L

- » Adjustable seat height
- » Adjustable seat and back angle
- » Adjustable weight tension
- » Adjustable nylon arms
- » Synchron mechanism with 3 locking positions
- » 700mm Large black nylon base
- » Available in black PU only
- » 5 Year warranty
- » Weight limit is 120kg

HILTON-VC

- » Black metal frame
- » Available in black PU only
- » 5 Year warranty
- » Weight limit is 120kg

HILTON



HILTON-H

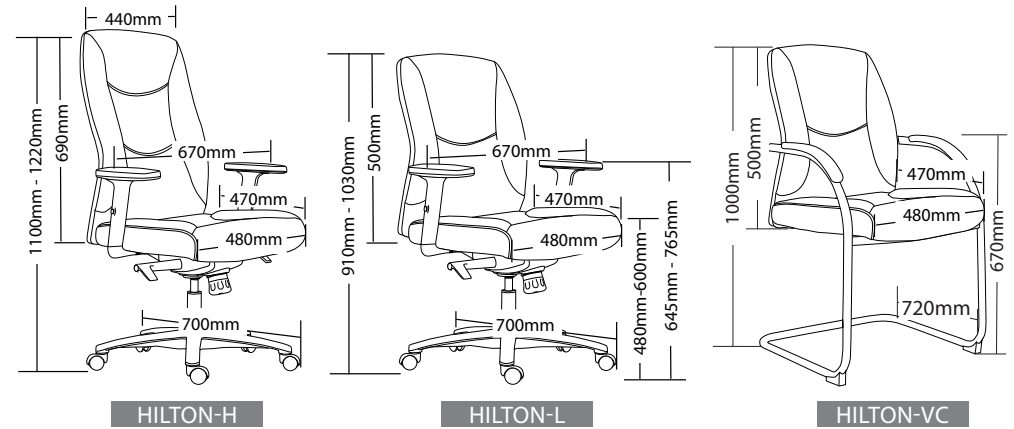


HILTON-L



HILTON-VC

SIZE



INSTRUCTIONS OF USE



R4 CRUZ

EXECUTIVE SEATING



»» COLOUR



»» FEATURES

- » Adjustable seat height
- » Adjustable seat and back angle
- » Adjustable weight tension
- » Chrome arms
- » Knee tilt mechanism with 3 locking positions
- » 700mm Aluminium base
- » Available in black PU only
- » 5 Year warranty
- » Weight limit is 120kg

CRUZ



CRUZ-H

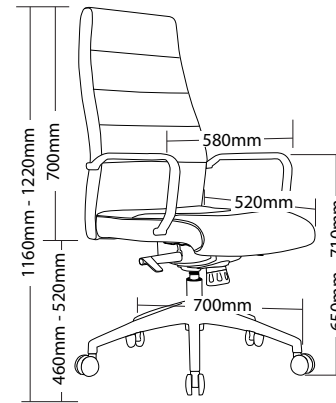


CRUZ-L

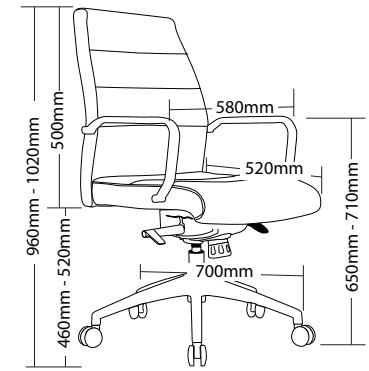


CRUZ-H
Back view

SIZE



CRUZ-H



CRUZ-L

INSTRUCTIONS OF USE



R4CENTRO

EXECUTIVE SEATING



COLOUR



FEATURES

- » Adjustable seat height
- » Adjustable seat and back angle
- » Adjustable weight tension
- » Adjustable arms
- » Adjustable lumbar
- » Optional adjustable headrest
- » Plastic under pan
- » Synchron mechanism with 3 locking positions
- » 700mm Aluminium base
- » Available in black only
- » 5 Year warranty
- » Weight limit is 120kg

CENTRO



CENTRO

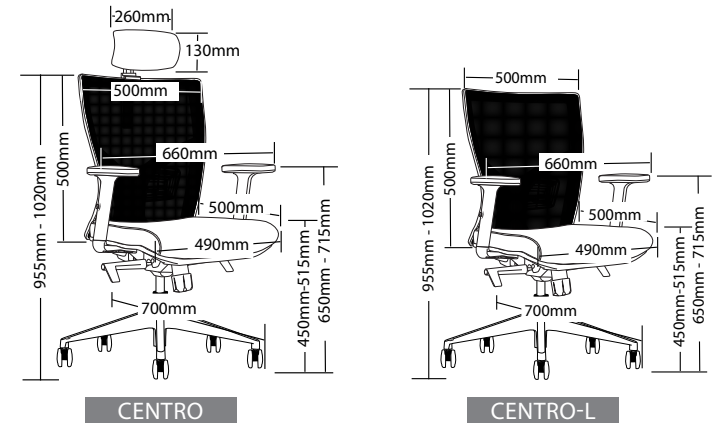


CENTRO-L



CENTRO
Back view

SIZE



INSTRUCTIONS OF USE



Five-star Base and Castors
Use soft tyred castors for tiles
Use hard tyred castors for carpet



R4CLEO

EXECUTIVE SEATING



» COLOUR



» FEATURES

- » Adjustable seat height
- » Adjustable seat and back angle
- » Adjustable weight tension
- » Adjustable chrome arms
- » Mesh back
- » 660mm Aluminium 5 star base
- » Synchron mechanism with 3 locking positions
- » Available in black only
- » 5 Year warranty
- » Weight limit is 120kg

CLEO



CLEO

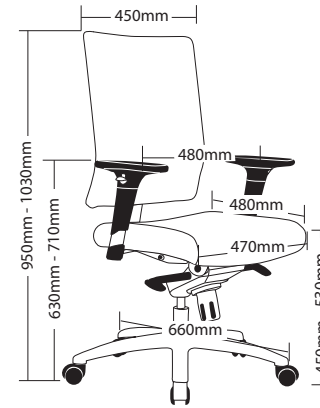


Side view



Back view

SIZE



CLEO

INSTRUCTIONS OF USE



R4WEB

EXECUTIVE SEATING



» **COLOUR**



B-Black R-Red W-White

» **FEATURES**

- » Adjustable seat height
- » Adjustable seat and back angle
- » Adjustable weight tension
- » Chrome arms
- » 700mm Aluminium base
- » Knee tilt mechanism with 3 locking positions
- » Available in low and high back
- » Available in black, red and white PU only
- » 5 Year warranty
- » Weight limit is 120kg

WEB-H



WEB-HB

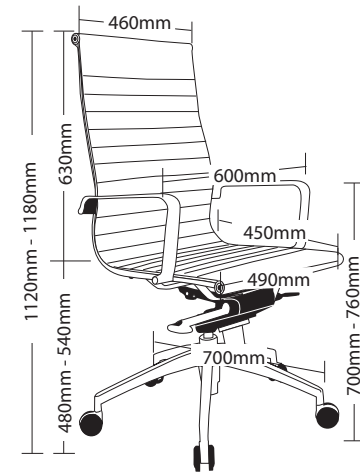


WEB-HR



WEB-HW

SIZE



WEB-H

INSTRUCTIONS OF USE

» On next page



WEB-L



COLOUR



B-Black R-Red W-White

FEATURES

- » Adjustable seat height
- » Adjustable seat and back angle
- » Adjustable weight tension
- » Chrome arms
- » 700mm Aluminium base
- » Knee tilt mechanism with 3 locking positions
- » Available in low and high back
- » Available in black, red and white PU only
- » 5 Year warranty
- » Weight limit is 120kg



WEB-LB

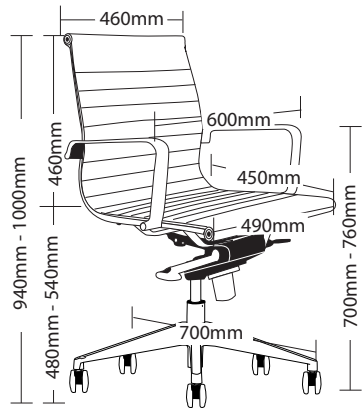


WEB-LR



WEB-LW

SIZE



WEB-L

INSTRUCTIONS OF USE



R4STING

EXECUTIVE SEATING



COLOUR



FEATURES

- » Adjustable seat height
- » Adjustable seat and back angle
- » Adjustable weight tension
- » Adjustable arms
- » Mesh back
- » 680mm Aluminium base
- » Plastic deep under pan
- » Synchron mechanism with 3 locking positions
- » Available in black only
- » 5 Year warranty
- » Weight limit is 120kg

STING

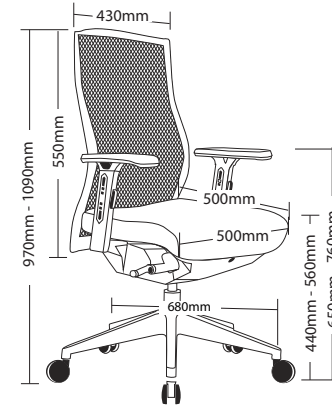


STING



Back view

SIZE



STING

INSTRUCTIONS OF USE



R4HUME

EXECUTIVE SEATING



»» COLOUR



Black PU

»» FEATURES

HUME-H/ HUME-L

- » Adjustable seat height
- » Adjustable seat and back angle
- » Adjustable weight tension
- » Adjustable arms
- » High density foam
- » 700mm Aluminium base
- » Synchron mechanism with 3 locking positions
- » Available in black PU only
- » 5 Year warranty
- » Weight limit is 120kg

HUME-VC

- » Chrome frame
- » High density foam
- » Available in black PU only
- » 5 Year warranty
- » Weight limit is 120kg

HUME



HUME-H

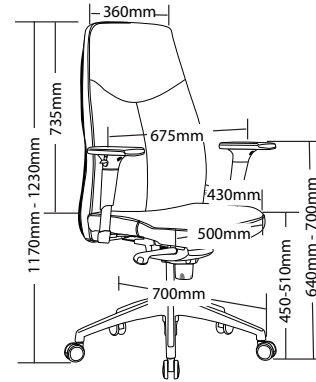


HUME-L

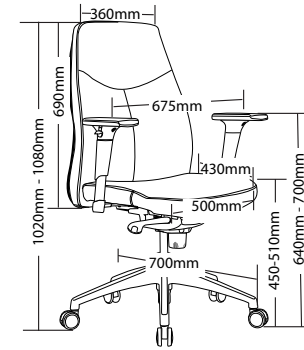


HUME-VC

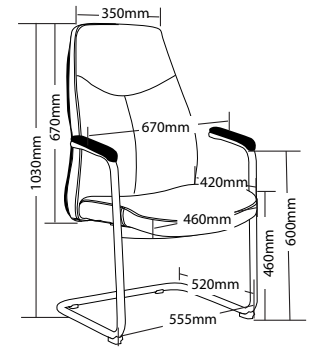
SIZE



HUME-H



HUME-L



HUME-VC

INSTRUCTIONS OF USE



Five-star Base and Castors
Use soft tyred castors for tiles
Use hard tyred castors for carpet



R4 VENUS

EXECUTIVE SEATING



COLOUR



FEATURES

- » Adjustable seat height
- » Adjustable seat and back angle
- » Adjustable weight tension
- » Adjustable arms
- » Plastic under pan
- » Moulded seat and back foam
- » Synchron mechanism with 3 locking positions
- » 700mm Heavy duty black nylon base
- » Available in black PU only
- » 5 Year warranty
- » Weight limit is 130kg

VENUS



VENUS-H

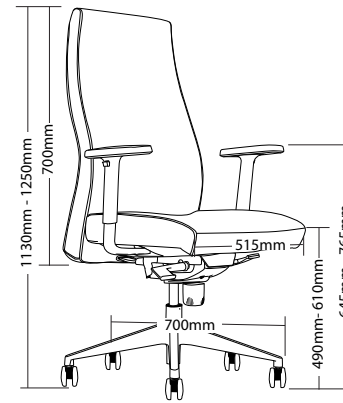


VENUS-L

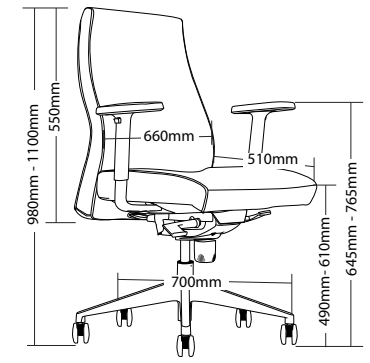


VENUS-H
Back view

SIZE



VENUS-H



VENUS-L

INSTRUCTIONS OF USE



R4 BOSTON

EXECUTIVE SEATING



» COLOUR

Black PU

» FEATURES

BOSTON-H/ BOSTON-L

- » Adjustable seat height
- » Adjustable seat and back angle
- » Adjustable weight tension
- » Adjustable aluminium arms
- » 700mm Aluminium base
- » High density foam
- » Synchron mechanism with 3 locking positions
- » Available in black PU only
- » 5 Year warranty
- » Weight limit is 120kg

BOSTON-VC

- » Chrome frame
- » High density foam
- » Available in black PU only
- » 5 Year warranty
- » Weight limit is 120kg

BOSTON



BOSTON-H

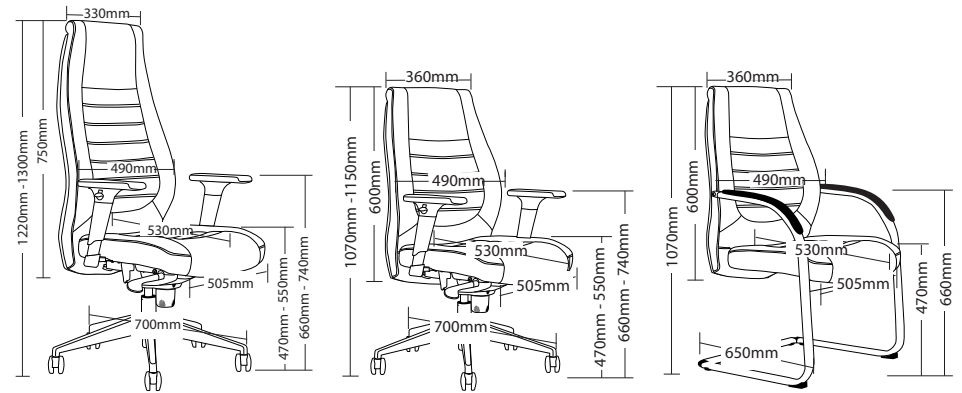


BOSTON-L



BOSTON-VC

SIZE



BOSTON-H

BOSTON-L

BOSTON-VC

INSTRUCTIONS OF USE



R4 CAMRY

EXECUTIVE SEATING



» COLOUR

Black PU

» FEATURES

CAMRY-H/ CAMRY-L

- » Adjustable seat height
- » Adjustable seat and back angle
- » Adjustable weight tension
- » Heavy duty aluminium arms
- » 700mm Heavy duty aluminium base
- » High density foam
- » Available in low and high back
- » Knee tilt mechanism with 3 locking positions
- » Available in black PU only
- » 5 Year warranty
- » Weight limit is 120kg

CAMRY-VC

- » Chrome frame
- » High density foam
- » Available in black PU only
- » 5 Year warranty
- » Weight limit is 120kg

CAMRY



CAMRY-H

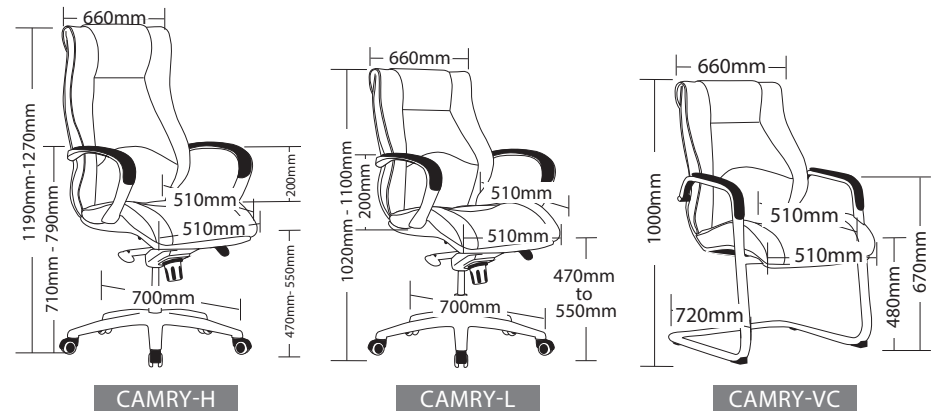


CAMRY-L



CAMRY-VC

SIZE



INSTRUCTIONS OF USE

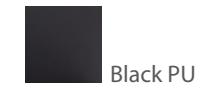


R4 OHIO

EXECUTIVE SEATING



COLOUR



FEATURES

- » Adjustable seat height
- » Adjustable seat and back angle
- » Adjustable weight tension
- » Adjustable chrome arms
- » Saddle seat
- » Synchron mechanism with 3 locking positions
- » Moulded back foam
- » Optional headrest
- » 700mm Aluminium base
- » Available in black PU only
- » 5 Year warranty
- » Weight limit is 130kg

OHIO

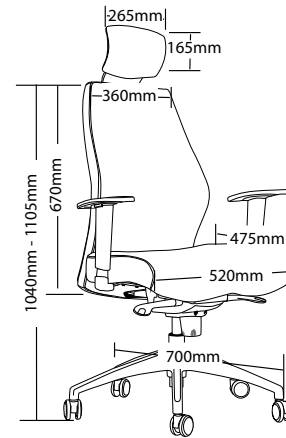


OHIO-H

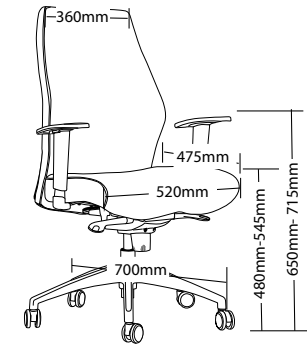


OHIO-L

SIZE



OHIO-H



OHIO-L

INSTRUCTIONS OF USE

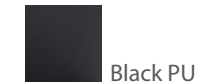


R4 DILMA

EXECUTIVE SEATING



COLOUR



FEATURES

DILMA-H/DILMA-L

- » Adjustable seat height
- » Adjustable seat and back angle
- » Adjustable weight tension
- » Plywood seat, back and arms
- » High density foam
- » Synchron mechanism with 3 locking positions
- » 700mm Aluminium base
- » Available in black PU only
- » 5 Year warranty
- » Weight limit is 120kg

DILMA-VC

- » Plywood seat, back and arms
- » High density foam
- » Swivel base
- » 700mm Aluminium 4 star base
- » Available in black PU only
- » 5 Year warranty
- » Weight limit is 120kg

DILMA



DILMA-H

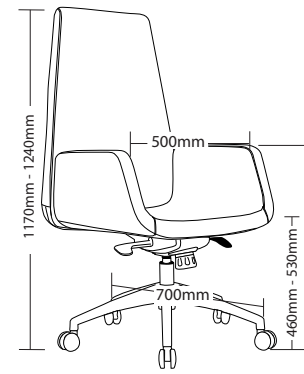


DILMA-L

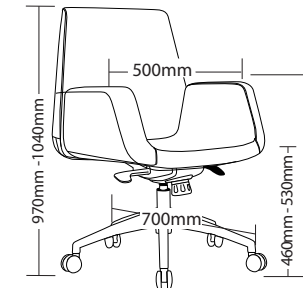


DILMA-VC

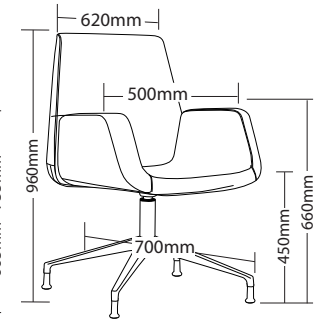
SIZE



DILMA-H



DILMA-L



DILMA-VC

INSTRUCTIONS OF USE



Five-star Base and Castors
Use soft tyred castors for files
Use hard tyred castors for carpet



R4 GRAND

EXECUTIVE SEATING



» **COLOUR**

Black PU

» **FEATURES**

GRAND-H/ GRAND-L

- » Adjustable seat height
- » Adjustable seat and back angle
- » Adjustable weight tension
- » Aluminium arms
- » 700mm Aluminium base
- » High density foam
- » Knee tilt mechanism with 3 locking positions
- » Available in black PU only
- » 5 Year warranty
- » Weight limit is 120kg

GRAND-VC

- » Chrome frame
- » High density foam
- » Available in black PU only
- » 5 Year warranty
- » Weight limit is 120kg

GRAND



GRAND-H

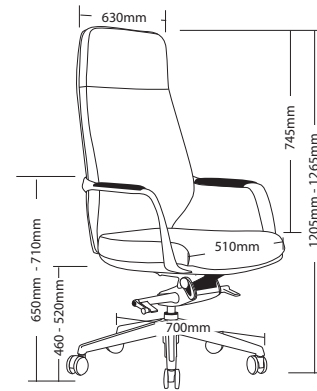


GRAND-L

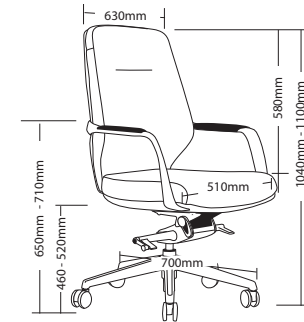


GRAND-VC

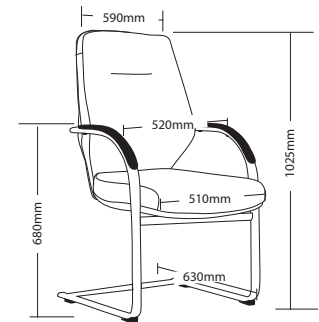
SIZE



GRAND-H



GRAND-L



GRAND-VC

INSTRUCTIONS OF USE



R4 FLASH

EXECUTIVE SEATING



» COLOUR



Black leather

» FEATURES

- » Adjustable seat height
- » Adjustable seat and back angle
- » Adjustable weight tension
- » Aluminium frame
- » Fixed arms
- » Available in low and high back
- » Available in cantilever frame
- » Knee tilt mechanism with 3 locking positions
- » 700mm Aluminium base
- » Available in black leather only
- » 5 Year warranty
- » Weight limit is 120kg

FLASH



FLASH-H

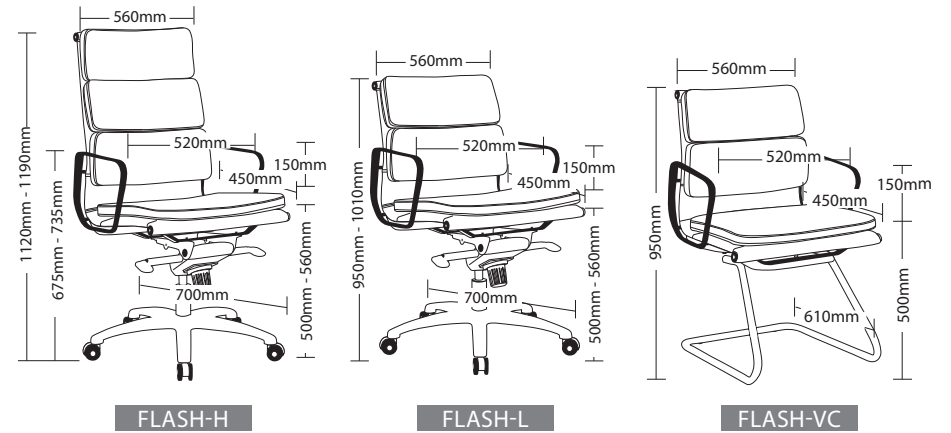


FLASH-L



FLASH-VC

SIZE



INSTRUCTIONS OF USE



R4 ZODIAC

EXECUTIVE SEATING



»» COLOUR



Black Mesh

»» FEATURES

- » Adjustable back height (ratchet)
- » Adjustable headrest (high back only)
- » Adjustable arms
- » Adjustable seat depth cable controlled
- » Adjustable seat height cable controlled
- » Adjustable seat and back angle cable controlled
- » Adjustable weight tension
- » Synchron mechanism with 3 locking positions
- » 700mm Aluminium base
- » Available in black only
- » 5 Year warranty
- » Weight limit is 120kg

ZODIAC

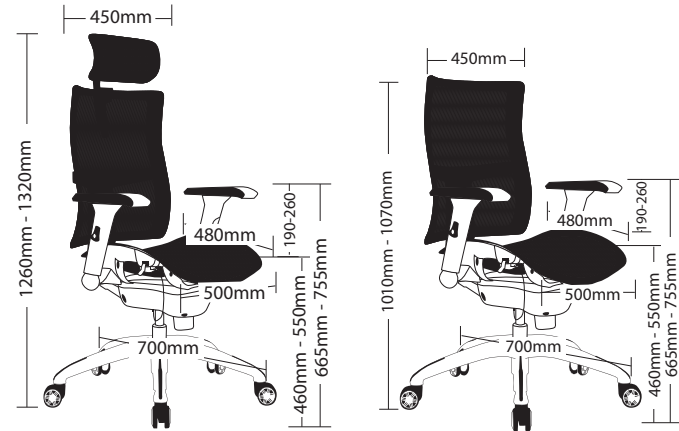


ZODIAC



ZODIAC-L

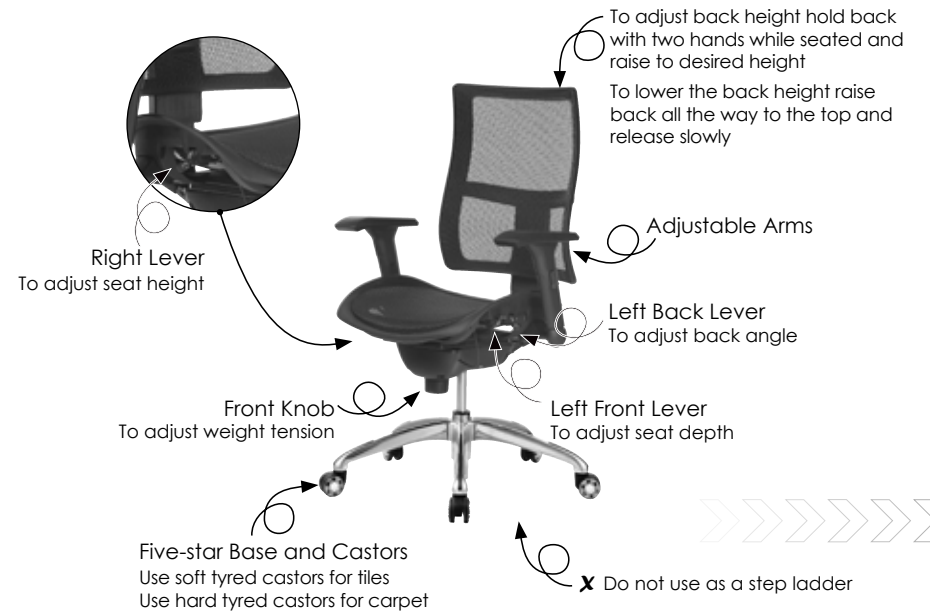
SIZE



ZODIAC

ZODIAC-L

INSTRUCTIONS OF USE



R4 ERGO1

EXECUTIVE SEATING



COLOUR



Black Mesh

FEATURES

- » Adjustable back height (ratchet)
- » Adjustable seat height cable controlled
- » Adjustable seat depth cable controlled
- » Adjustable seat and back angle cable controlled
- » Adjustable headrest (high back only)
- » Adjustable active lumbar
- » Adjustable weight tension
- » Adjustable arms
- » Coat rack
- » Synchron mechanism with 3 locking positions
- » 700mm Aluminium base
- » Available in black only
- » BIFMA tested
- » 5 Year warranty
- » Weight limit is 120kg

ERGO1



ERGO1

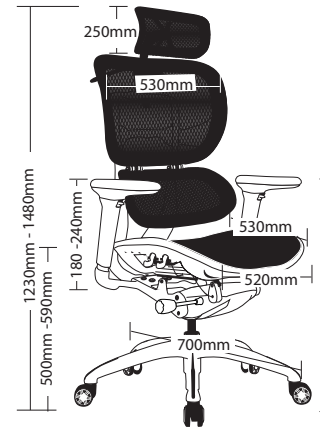


ERGO1-L

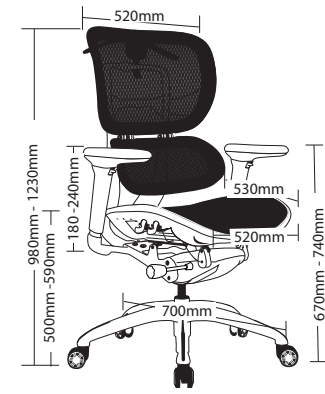


ERGO1
Back view

SIZE



ERGO1



ERGO1-L

INSTRUCTIONS OF USE

To adjust back height hold back with two hands while seated and raise to desired height

To lower the back height raise back all the way to the top and release slowly

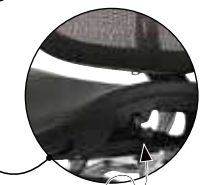
Right Back Lever
To adjust seat depth

Right Front Lever
To adjust seat height

Right Knob
To adjust weight tension

Adjustable Lumbar

Adjustable Arms



Left Lever
To adjust seat and back angle

Five-star Base and Castors
Use soft tyred castors for tiles
Use hard tyred castors for carpet

Do not use as a step ladder

EXECUTIVE SEATING



FEATURES

EVITA-H/EVITA-L

- » Adjustable seat height
- » Adjustable seat depth
- » Adjustable seat and back angle
- » Adjustable weight tension
- » Adjustable arms
- » Adjustable lumbar
- » Adjustable headrest (high back only)
- » Synchron mechanism with 3 locking positions
- » 700mm Aluminium base
- » Moulded seat foam
- » Korean mesh back
- » Available in black only
- » BIFMA tested
- » 5 Year Warranty
- » Weight limit is 120kg

EVITA-VC

- » Chrome frame
- » Moulded seat foam
- » Korean mesh back
- » Available in black only
- » 4 Year Warranty
- » Weight limit is 120kg

EVITA-TA

- » Adjustable seat height
- » Adjustable seat and back angle
- » Adjustable arms
- » Adjustable lumbar
- » Synchron mechanism with 3 locking positions
- » 680mm Black nylon base
- » Moulded seat foam
- » Korean mesh back
- » Available in black only
- » 5 Year warranty
- » Weight limit is 120kg

EVITA

WARRANTY **4** Year
WARRANTY **5** Year
WEIGHT LIMIT **120** Kilogram
IMPORTED
BIFMA



EVITA

WARRANTY **5** Year
BIFMA



EVITA-L

WARRANTY **5** Year
BIFMA



EVITA-VC

WARRANTY **4** Year



EVITA-TA

WARRANTY **5** Year

COLOUR
Black

SIZE
» On next page

INSTRUCTIONS OF USE
» On next page





FEATURES

EVITA-H/EVITA-L

- » Adjustable seat height
- » Adjustable seat depth
- » Adjustable seat and back angle
- » Adjustable weight tension
- » Adjustable arms
- » Adjustable lumbar
- » Adjustable headrest (high back only)
- » Synchron mechanism with 3 locking positions
- » 700mm Aluminium base
- » Moulded seat foam
- » Korean mesh back
- » Available in black only
- » BIFMA tested
- » 5 Year Warranty
- » Weight limit is 120kg



EVITA-H
Back view



EVITA-H
Side view



EVITA-L
Back view

EVITA-VC

- » Chrome frame
- » Moulded seat foam
- » Korean mesh back
- » Available in black only
- » 4 Year Warranty
- » Weight limit is 120kg



EVITA-VC
Side view



EVITA-VC
Back view

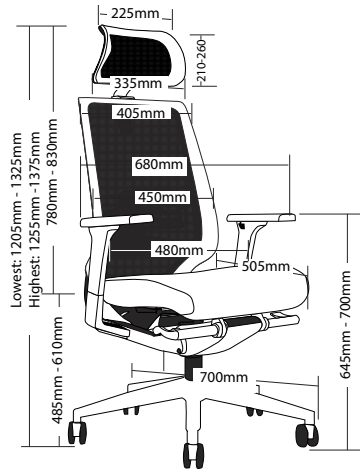
EVITA-TA

- » Adjustable seat height
- » Adjustable seat and back angle
- » Adjustable arms
- » Adjustable lumbar
- » Synchron mechanism with 3 locking positions
- » 680mm Black nylon base
- » Moulded seat foam
- » Korean mesh back
- » Available in black only
- » 5 Year warranty
- » Weight limit is 120kg

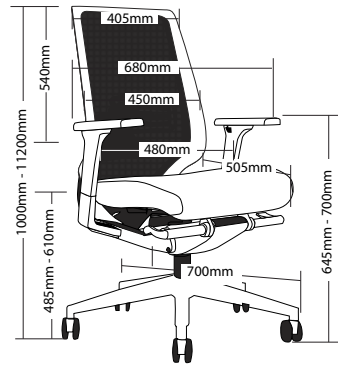


EVITA-TA
Back view

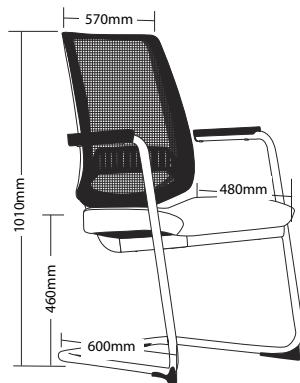
SIZE



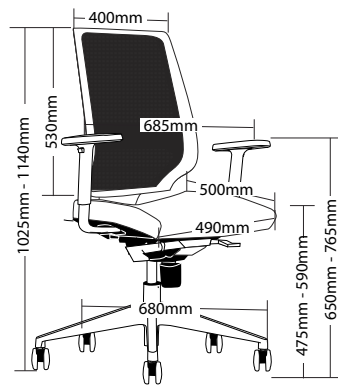
EVITA



EVITA-L



EVITA-VC



EVITA-TA

INSTRUCTIONS OF USE



R4 ENZO

EXECUTIVE SEATING



COLOUR



Black leather

FEATURES

- » Adjustable seat height
- » Adjustable seat depth
- » Adjustable seat and back angle
- » Adjustable weight tension
- » Available in low and high back
- » Aluminium arms
- » 700mm Aluminium base
- » Ribbed back
- » Synchron mechanism with 3 locking positions
- » Available in black leather only
- » 3 Year warranty
- » Weight limit is 120kg

ENZO

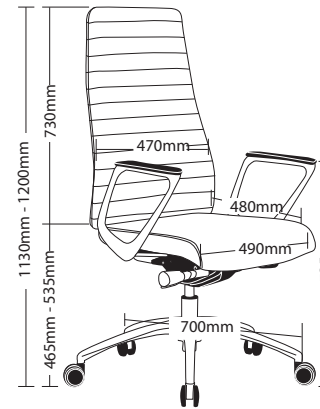


ENZO-H

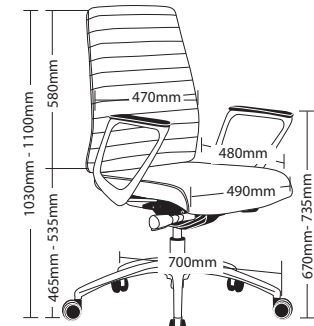


ENZO-L

SIZE



ENZO-H



ENZO-L

INSTRUCTIONS OF USE



R4 MAGNUM

EXECUTIVE SEATING



» COLOUR



Black leather

» FEATURES

MAGNUM-H/MAGNUM-L

- » Adjustable seat height
- » Adjustable seat and back angle
- » Adjustable weight tension
- » Moulded seat and back foam
- » Available in low and high back
- » Extremely comfortable
- » Knee tilt mechanism with 3 locking positions
- » Aluminium arms
- » 800mm Aluminium base
- » Available in black leather only
- » 5 Year warranty
- » Weight limit is 120kg

MAGNUM-VC

- » Chrome frame
- » Extremely comfortable
- » Aluminium arms
- » Available in black leather only
- » 5 Year warranty
- » Weight limit is 120kg

MAGNUM



MAGNUM-H

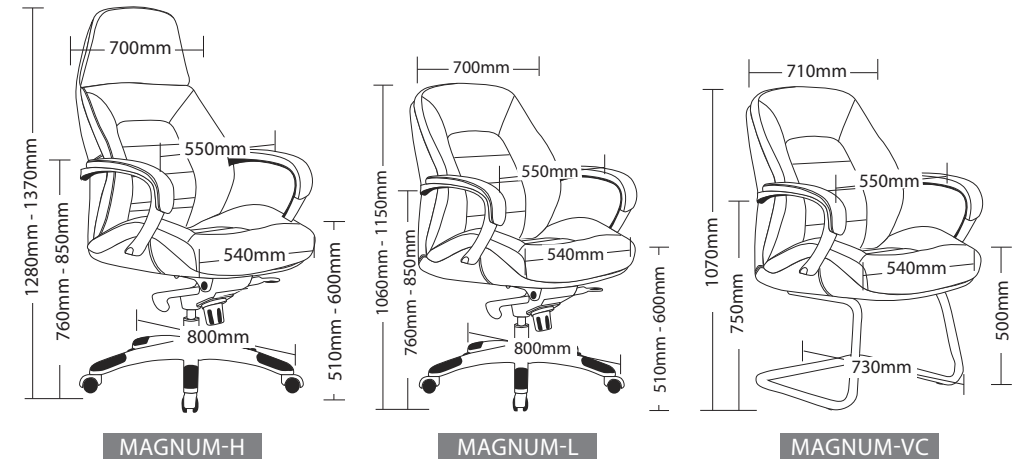


MAGNUM-L



MAGNUM-VC

SIZE



INSTRUCTIONS OF USE

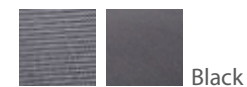


R5 NEO

HOSPITALITY SEATING



COLOUR



FEATURES

- » Stackable
- » Square tube
- » Black metal frame
- » Suitable for indoor use only
- » Mesh back
- » Available in black only
- » 3 Year warranty
- » Weight limit is 120kg

NEO



NEO



Back view

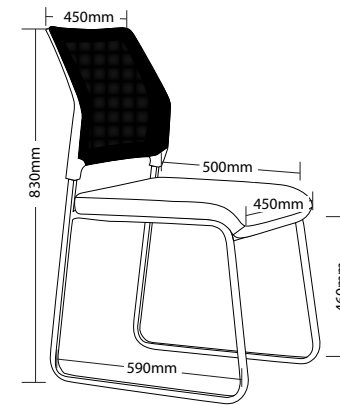


Side view



Front view

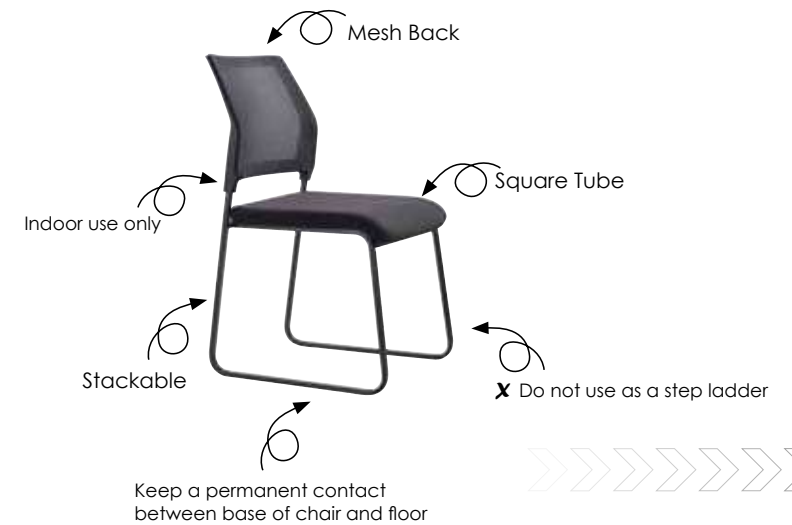
SIZE



NEO



INSTRUCTIONS OF USE

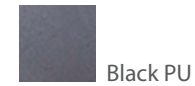


R5 ROSE

HOSPITALITY SEATING



COLOUR



FEATURES

- » Fully welded frame
- » Chrome finish
- » Polyurethane arm pads
- » Cantilever frame
- » Padded for extra comfort
- » Available in black PU only
- » 3 Year warranty
- » Weight limit is 110kg

ROSE



Back view

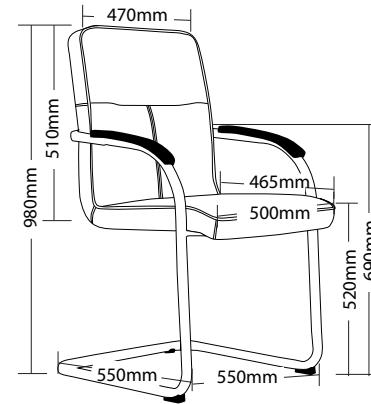


Side view



Front view

SIZE



ROSE

INSTRUCTIONS OF USE



R5 DONA

HOSPITALITY

SEATING



COLOUR



B-Black R-Red W-White

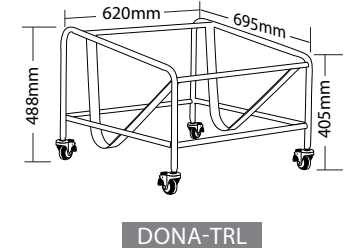
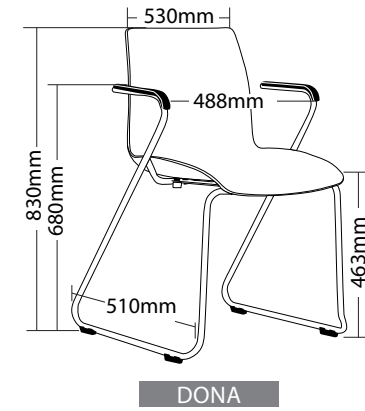
FEATURES

- » Stackable
 - » Maximum 15 chairs on trolley
 - » Maximum 5 chairs on floor
- » Sled base chrome frame
- » Suitable for indoor use only
- » Linkable
- » Plastic arm pads
- » Optional black metal trolley
- » Available in black, red and white only
- » 3 Year warranty
- » Weight limit is 120kg

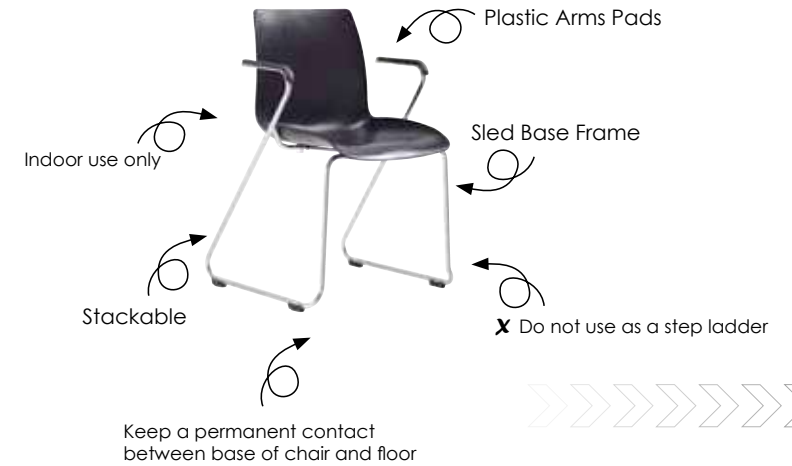
DONA



SIZE



INSTRUCTIONS OF USE





COLOUR



Black

FEATURES

- » Multi purpose stackable client chair
 - » Maximum 16 chairs on trolley
 - » Maximum 5 chairs on floor
 - » Not stackable with tablet arms
- » Sled chrome base
- » Suitable for indoor only
- » Linkable except with tablet arms or arms
- » BIFMA drop tested
- » Fully welded frame
- » Fully strengthened plastic back shell
- » Optional left / right hand tablet arms
- » Optional black metal trolley, easy to move when stacked
- » Available in beam seating
- » Available in black only
- » 4 Year warranty
- » Weight limit is 120kg

FOCUS



FOC-1A



FOC-1



FOC-1TR

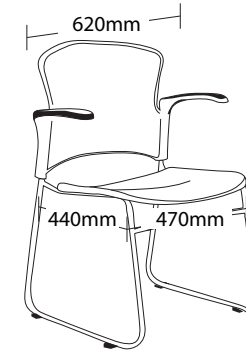


FOC-TRL

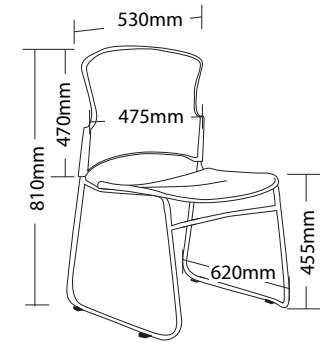


FOC-1TL

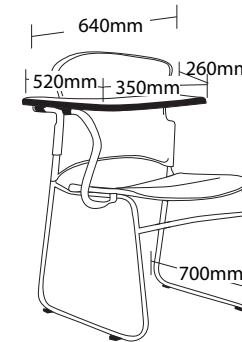
SIZE



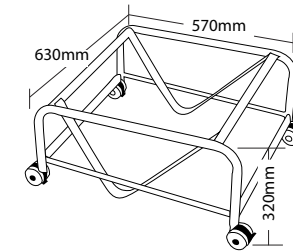
FOC-1A



FOC-1

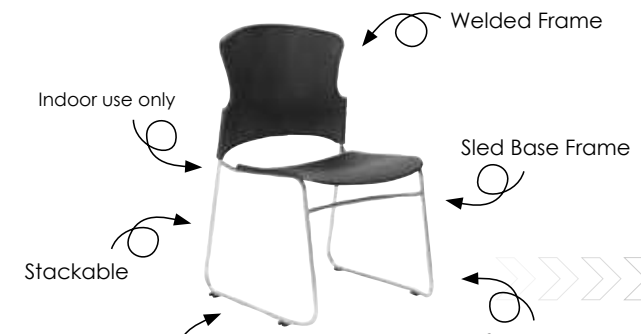


FOC-1TR



FOC-TRL

INSTRUCTIONS OF USE



Indoor use only

Stackable

Welded Frame

Sled Base Frame

✗ Do not use as a step ladder

Keep a permanent contact between base of chair and floor

R5 VINN

HOSPITALITY SEATING



COLOUR



FEATURES

- » Solid steel sled base frame
- » Chrome finish
- » Suitable for indoor use only
- » Black plastic
- » Linkable except with tablet arms or arms
- » Plastic under pan
- » Stackable
 - » Maximum 13 chairs on trolley
 - » Maximum 5 chairs on floor
 - » Maximum 5 chairs with stools
 - » Not stackable with tablet arms
- » Optional plastic or mesh back
- » Optional black metal trolley, easy to move when stacked
- » Available in beam seating
- » Available in black only
- » 4 Year warranty
- » Weight limit is 120kg

VINN



VINN-BA



VINN-B



VINN-BT



VINN-B-ST



VINN-B-STA



VINN-TRL



SIZE

» On next page



INSTRUCTIONS OF USE

» On next page





VINN

WARRANTY
4
Year

WEIGHT LIMIT
120
Kilogram

IMPORTED

COLOUR



FEATURES

- » Solid steel sled base frame
- » Chrome finish
- » Suitable for indoor use only
- » Black plastic
- » Linkable except with tablet arms or arms
- » Plastic under pan
- » Stackable
 - » Maximum 13 chairs on trolley
 - » Maximum 5 chairs on floor
 - » Maximum 5 chairs with stools
 - » Not stackable with tablet arms
- » Optional plastic or mesh back
- » Optional black metal trolley, easy to move when stacked
- » Available in beam seating
- » Available in black only
- » 4 Year warranty
- » Weight limit is 120kg



VINN-MBA



VINN-MB



VINN-MBT

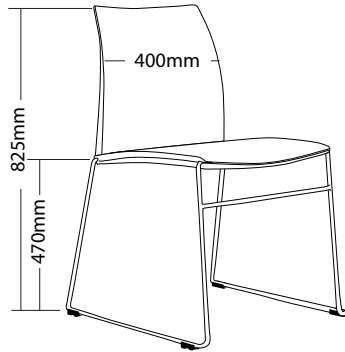


VINN-MB-ST

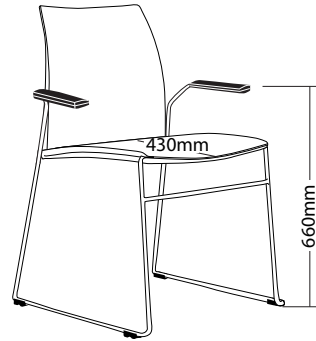


VINN-MB-STA

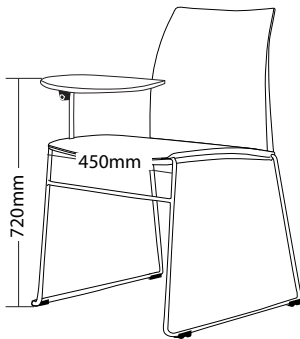
SIZE



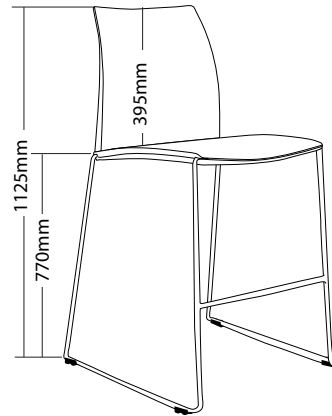
VINN-B



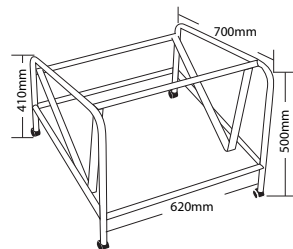
VINN-BA



VINN-BT



VINN-B-ST



VINN-TRL

INSTRUCTIONS OF USE



R5 POD

HOSPITALITY SEATING



COLOUR



B-Black R-Red W-White

FEATURES

- » Stackable
 - » Maximum 13 chairs on trolley
 - » Maximum 5 chairs on floor
 - » Maximum 5 chairs with stools
 - » Maximum 3 chairs with tablet arms
- » Optional tablet arms
- » Optional arms
- » Plastic under pan
- » Suitable for indoor use only
- » Optional 4 leg or sled base chrome frame
- » Optional black metal trolley, easy to move when stacked
- » Available in beam seating
- » Available in black, red and white only
- » 4 Year warranty
- » Weight limit is 120kg

POD 4 LEG



SIZE

» On next page



INSTRUCTIONS OF USE

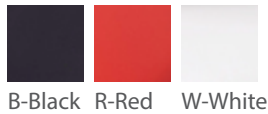
» On next page



POD 4 LEG



COLOUR

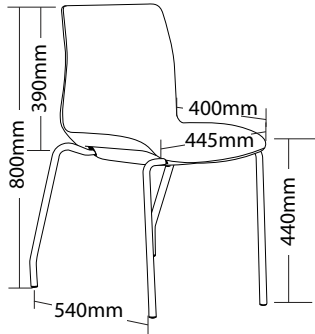


FEATURES

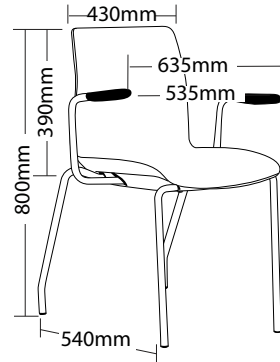
- » Stackable
 - » Maximum 13 chairs on trolley
 - » Maximum 5 chairs on floor
 - » Maximum 5 chairs with stools
 - » Maximum 3 chairs with tablet arms
- » Optional tablet arms
- » Optional arms
- » Plastic under pan
- » Suitable for indoor use only
- » Optional 4 leg or sled base chrome frame
- » Optional black metal trolley, easy to move when stacked
- » Available in beam seating
- » Available in black, red and white only
- » 4 Year warranty
- » Weight limit is 120kg



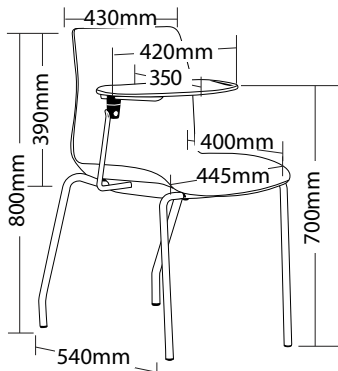
SIZE



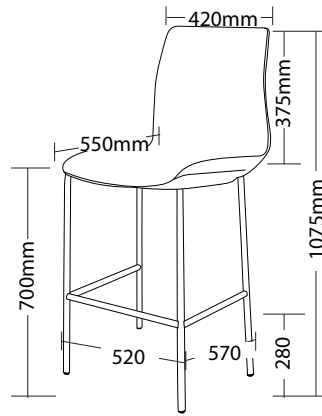
POD-4



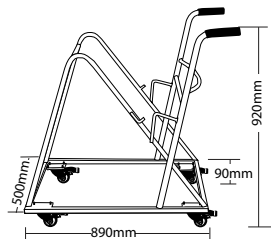
POD-4A



POD-4T

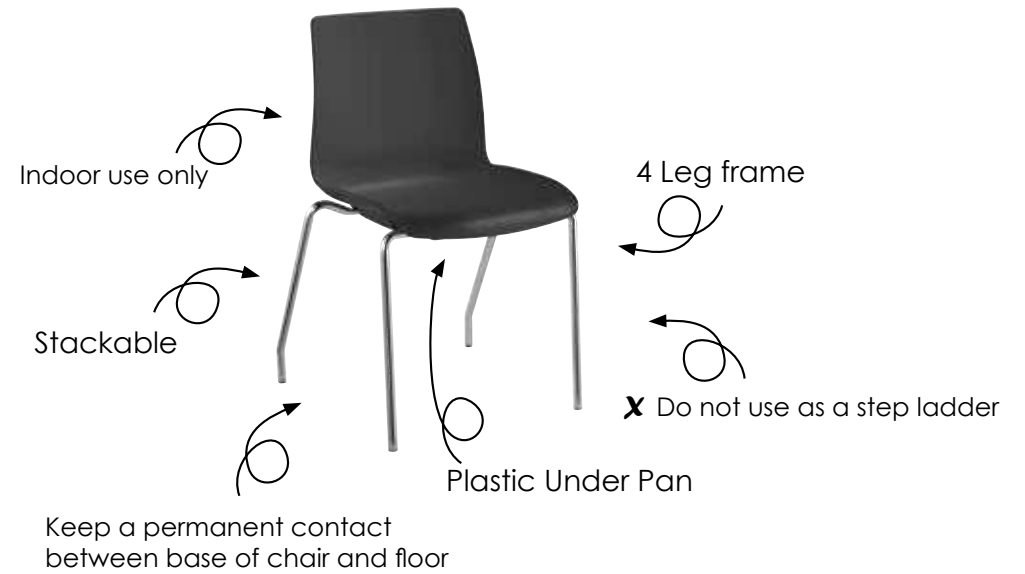


POD-ST



POD-TRL

INSTRUCTIONS OF USE



R5 POD

HOSPITALITY SEATING



COLOUR



B-Black R-Red W-White

FEATURES

- » Stackable
 - » Maximum 13 chairs on trolley
 - » Maximum 5 chairs on floor
 - » Not stackable with tablet arms
- » Optional tablet arms
- » Optional arms
- » Plastic under pan
- » Suitable for indoor use only
- » Optional 4 leg or sled base chrome frame
- » Optional black metal trolley, easy to move when stacked
- » Available in beam seating
- » Available in black, red and white only
- » 4 Year warranty
- » Weight limit is 120kg

POD SLED



POD-SRA



POD-SB



POD-SWT



POD-SBA



POD-SW



SIZE

» On next page



INSTRUCTIONS OF USE

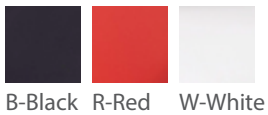
» On next page



POD SLED



COLOUR

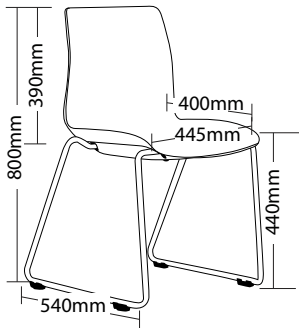


FEATURES

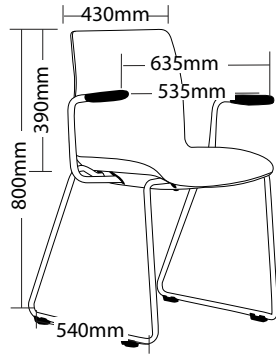
- » Stackable
 - » Maximum 13 chairs on trolley
 - » Maximum 5 chairs on floor
 - » Not stackable with tablet arms
- » Optional tablet arms
- » Optional arms
- » Plastic under pan
- » Suitable for indoor use only
- » Optional 4 leg or sled base chrome frame
- » Optional black metal trolley, easy to move when stacked
- » Available in beam seating
- » Available in black, red and white only
- » 4 Year warranty
- » Weight limit is 120kg



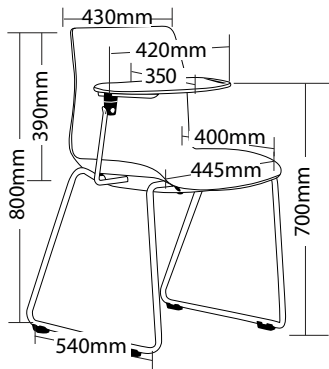
SIZE



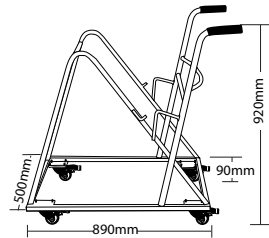
POD-S



POD-SA

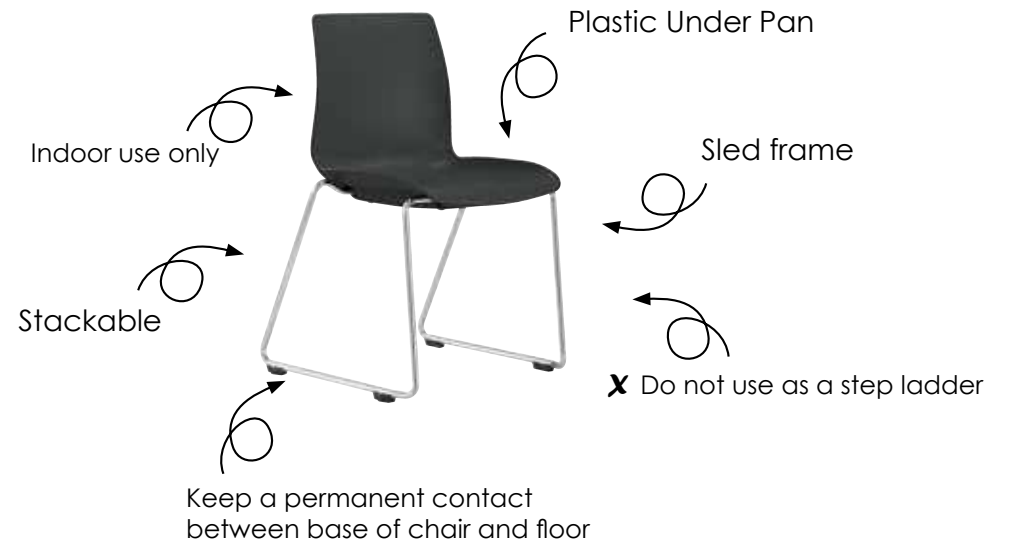


POD-ST



POD-TRL

INSTRUCTIONS OF USE



R6 FOCUS BEAM

BEAM SEATING



COLOUR



FEATURES

- » Optional 2 or 3 seater
- » Suitable for indoor use only
- » Fully welded black metal frame
- » Twin seat support bars
- » Adjustable feet
- » 4 Year warranty
- » Available in black only
- » Weight limit for 2 seater is 200kg
- » Weight limit for 3 seater is 300kg

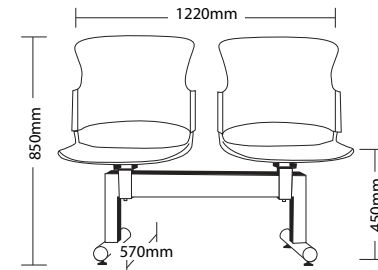
FOCUS BEAM

SIZE

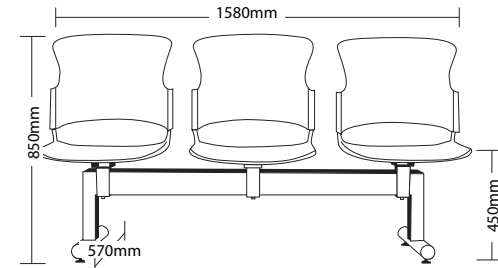
WEIGHT LIMIT
200
Kilogram



F-BEAM 2



F-BEAM 2



F-BEAM 3

WEIGHT LIMIT
300
Kilogram



F-BEAM 3



R6 VINN BEAM

BEAM SEATING



COLOUR



FEATURES

- » Optional 2, 3 or 4 seater
- » Suitable for indoor use only
- » Heavy duty black metal beam frame
- » Adjustable feet
- » Optional plastic or mesh back
- » 4 Year warranty
- » Available in black only
- » Weight limit for 2 seater is 180kg
- » Weight limit for 3 seater is 250kg
- » Weight limit for 4 seater is 300kg

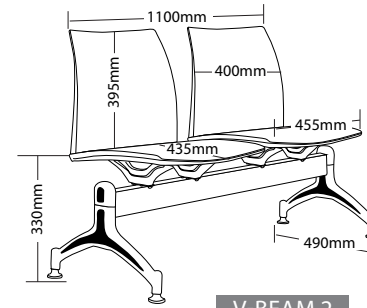
VINN BEAM

SIZE

WEIGHT LIMIT
180
Kilogram



V-BEAM 2



V-BEAM 2



Back view

WEIGHT LIMIT
180
Kilogram



V-BEAM 2M



Front view



VINN BEAM



COLOUR



FEATURES

- » Optional 2, 3 or 4 seater
- » Suitable for indoor use only
- » Heavy duty black metal beam frame
- » Adjustable feet
- » Optional plastic or mesh back
- » 4 Year warranty
- » Available in black only
- » Weight limit for 2 seater is 180kg
- » Weight limit for 3 seater is 250kg
- » Weight limit for 4 seater is 300kg



V-BEAM 3



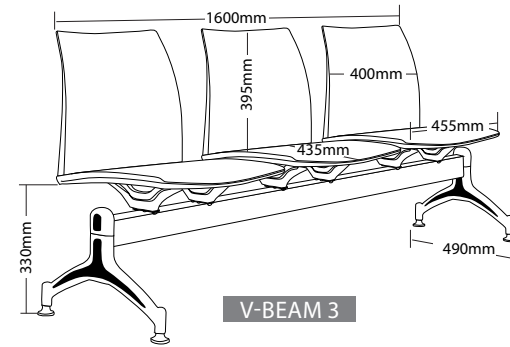
V-BEAM 3M

WEIGHT LIMIT
300
Kilogram

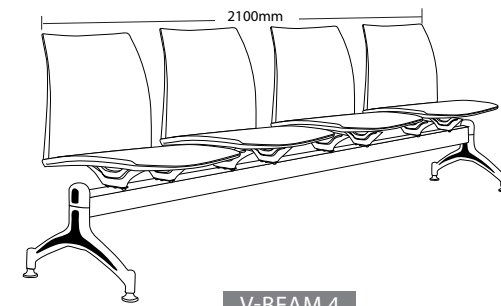


V-BEAM 4

SIZE



V-BEAM 3



V-BEAM 4

WEIGHT LIMIT
300
Kilogram



V-BEAM 4M



Side view



R6 POD BEAM

BEAM SEATING



WARRANTY 4 Year	WEIGHT LIMIT 200 Kilogram	WEIGHT LIMIT 300 Kilogram	WEIGHT LIMIT 350 Kilogram	IMPORTED
-------------------------------------	---	---	---	---------------------

COLOUR



B-Black R-Red W-White

FEATURES

- » Optional 2, 3 or 4 seater
- » Suitable for indoor use only
- » Heavy duty black metal beam frame
- » Adjustable feet
- » Available in black, red and white only
- » 4 Year warranty
- » Weight limit for 2 seater is 200kg
- » Weight limit for 3 seater is 300kg
- » Weight limit for 4 seater is 350kg

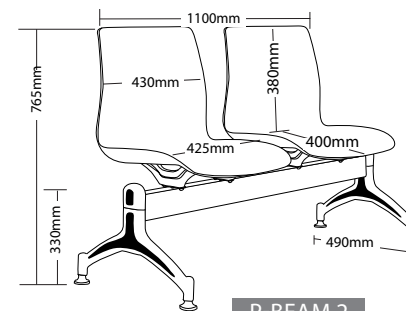
POD BEAM

SIZE

WEIGHT LIMIT
200
Kilogram



P-BEAM 2R



P-BEAM 2

WEIGHT LIMIT
200
Kilogram



P-BEAM 2W

WEIGHT LIMIT
200
Kilogram



P-BEAM 2B



POD BEAM

WARRANTY **4** Year

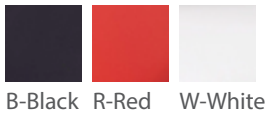
WEIGHT LIMIT **200** Kilogram

WEIGHT LIMIT **300** Kilogram

WEIGHT LIMIT **350** Kilogram

IMPORTED

COLOUR



FEATURES

- » Optional 2, 3 or 4 seater
- » Suitable for indoor use only
- » Heavy duty black metal beam frame
- » Adjustable feet
- » Available in black, red and white only
- » 4 Year warranty
- » Weight limit for 2 seater is 200kg
- » Weight limit for 3 seater is 300kg
- » Weight limit for 4 seater is 350kg

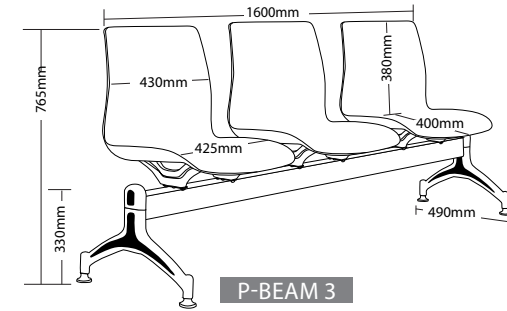


SIZE

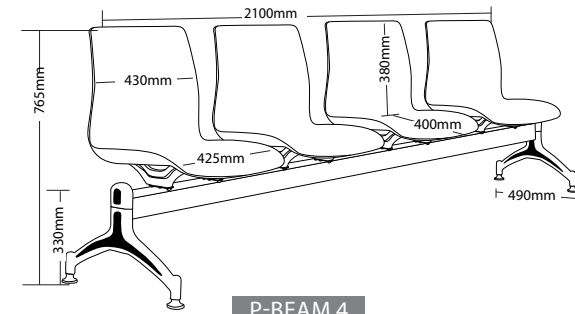
WEIGHT LIMIT
350
Kilogram



P-BEAM 4B



P-BEAM 3



P-BEAM 4

WEIGHT LIMIT
350
Kilogram



P-BEAM 4W

WEIGHT LIMIT
350
Kilogram



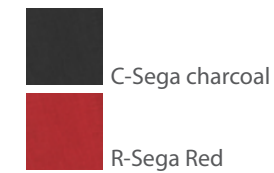
P-BEAM-4R

R7 RAVEN

BREAKOUT SEATING



COLOUR



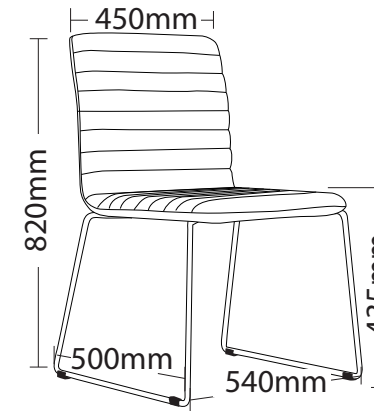
FEATURES

- » Plywood shell
- » Fully upholstered
- » Sled base chrome frame
- » High density foam
- » Suitable for indoor use only
- » Available in Sega red and charcoal only
- » 5 Year warranty
- » Weight limit is 130kg

RAVEN



SIZE



RAVEN

INSTRUCTIONS OF USE



Sled Base
Keep a permanent contact
between base of chair and floor



R7 LORI

BREAKOUT SEATING



COLOUR



C-Sega charcoal



R-Sega Red

FEATURES

- » Adjustable seat height
- » Plywood shell
- » High density foam
- » 680mm Aluminium 4 Star base
- » Suitable for indoor use only
- » Available in Sega red and charcoal only
- » 5 Year warranty
- » Weight limit is 130kg

LORI



LORI-R



LORI-C

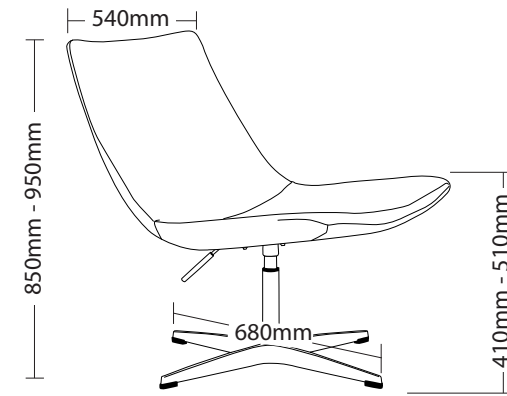


Back view



Side view

SIZE



LORI

INSTRUCTIONS OF USE

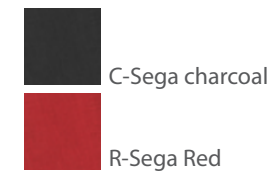


R7 OSCAR

BREAKOUT SEATING



COLOUR



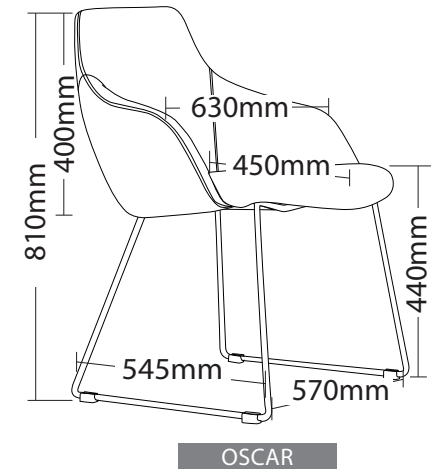
FEATURES

- » Plywood shell
- » High density foam
- » Sled base chrome frame
- » Suitable for indoor use only
- » Available in Sega red and charcoal only
- » 5 Year warranty
- » Weight limit is 130kg

OSCAR



SIZE



INSTRUCTIONS OF USE



R7 **DELL**

BREAKOUT SEATING



COLOUR



C-Sega charcoal



R-Sega Red

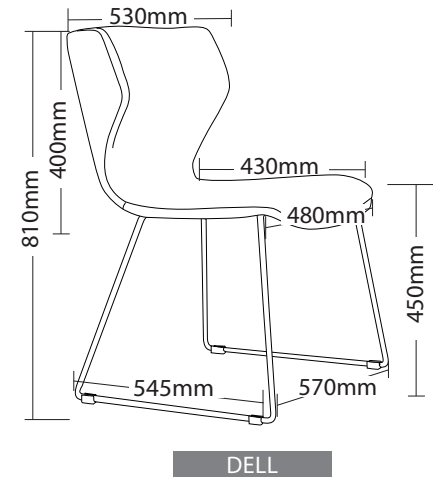
FEATURES

- » Plywood shell
- » High density foam
- » Sled base chrome frame
- » Suitable for indoor use only
- » Available in Sega red and charcoal only
- » 3 Year warranty
- » Weight limit is 130kg

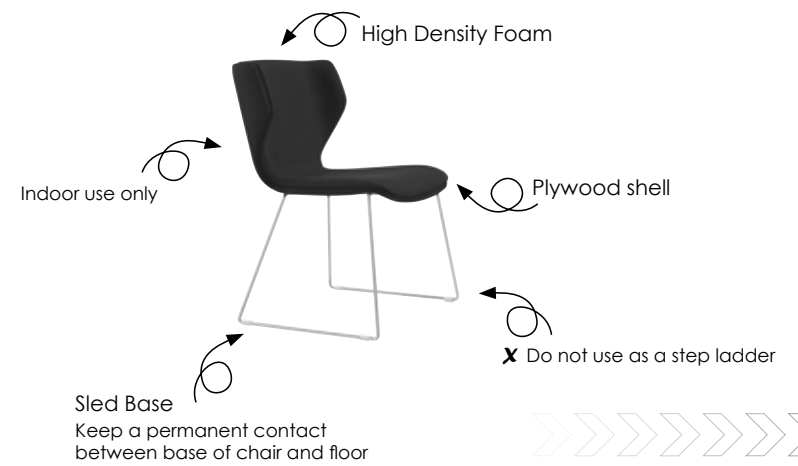
DELL



SIZE



INSTRUCTIONS OF USE

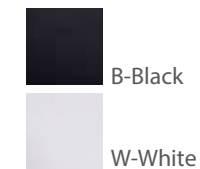


R7 DEMO

BREAKOUT SEATING



COLOUR



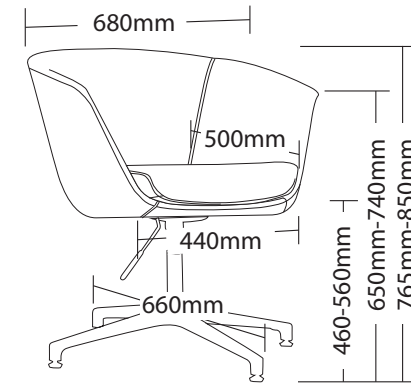
FEATURES

- » Adjustable seat height
- » Moulded foam
- » Swivel seat
- » 660mm Aluminium 4 star base
- » Plywood shell
- » Adjustable feet plugs
- » Suitable for indoor use only
- » Available in black and white PU
- » 5 Year warranty
- » Weight limit is 120kg

DEMO



SIZE



DEMO

INSTRUCTIONS OF USE



R7 TONIC

BREAKOUT SEATING



COLOUR



C-Sega charcoal



R-Sega Red

FEATURES

- » Plywood shell
- » Solid rod base chrome frame
- » High density foam
- » Moulded foam
- » Suitable for indoor use only
- » Available in Sega red and charcoal only
- » 5 Year warranty
- » Weight limit is 120kg

TONIC



TONIC-R

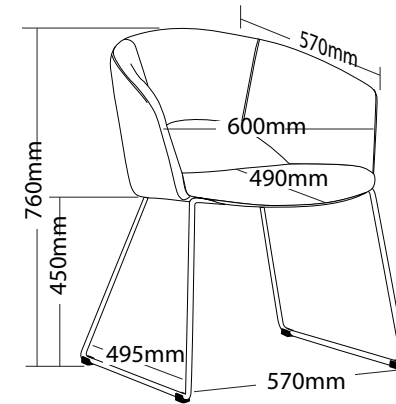


TONIC-C



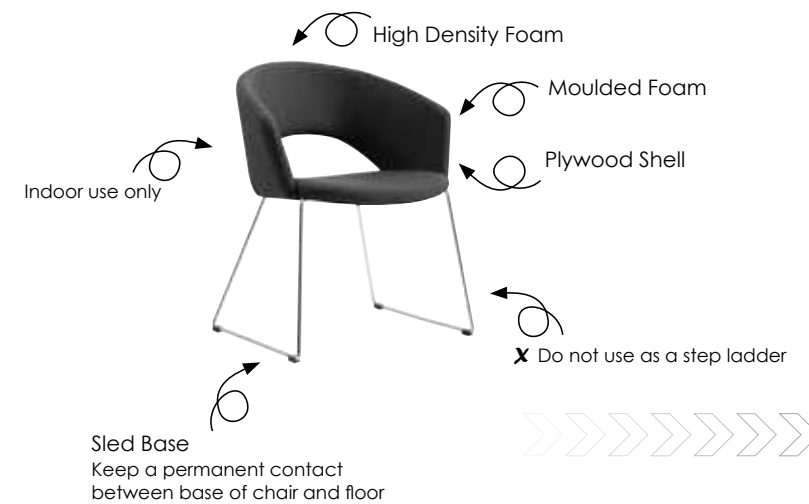
Back view

SIZE



TONIC

INSTRUCTIONS OF USE



R7 HULA

BREAKOUT SEATING



COLOUR



C-Sega charcoal



R-Sega Red

FEATURES

HULA CHAIR FEATURES

- » Plywood shell
- » Adjustable seat height
- » 660mm Aluminium 4 star base
- » High density foam
- » Suitable for indoor use only
- » Available in Sega red and charcoal only
- » Minor assembly required
- » 5 Year warranty
- » Weight limit is 120kg

HULA TABLE

- » 8mm Thick glass top
- » 800mm diameter tempered glass
- » 660mm Aluminium frame
- » Minor assembly required
- » 3 Year warranty

HULA

WARRANTY
5
Year



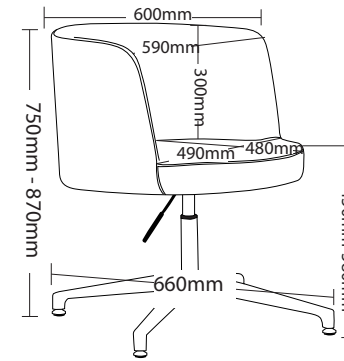
HULA-C

WARRANTY
5
Year

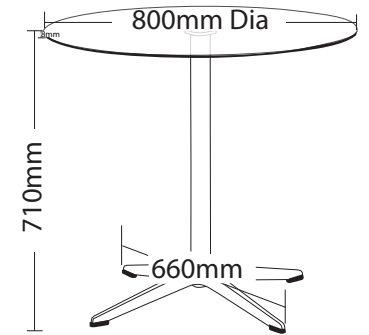


HULA-R

SIZE



HULA



HULA-T

WARRANTY
3
Year



HULA-T

INSTRUCTIONS OF USE

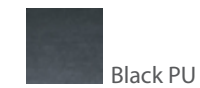


R7 TECHNO

BREAKOUT SEATING



COLOUR



FEATURES

- » Plywood inner frame
- » High density foam
- » Linkable
- » Chrome metal feet
- » Suitable for indoor use only
- » Available in black PU only
- » 2 Year warranty
- » Weight limit is 120kg

TECHNO



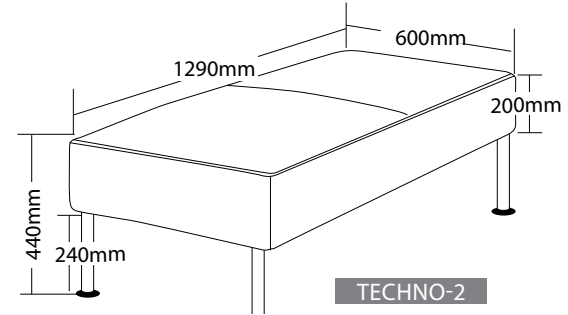
TECHNO-1

TECHNO-B

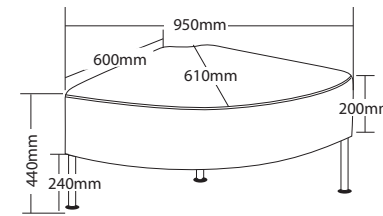


TECHNO-2

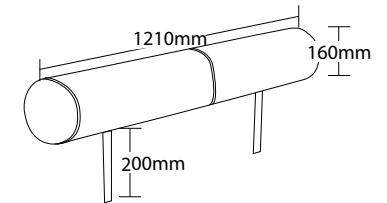
SIZE



TECHNO-2

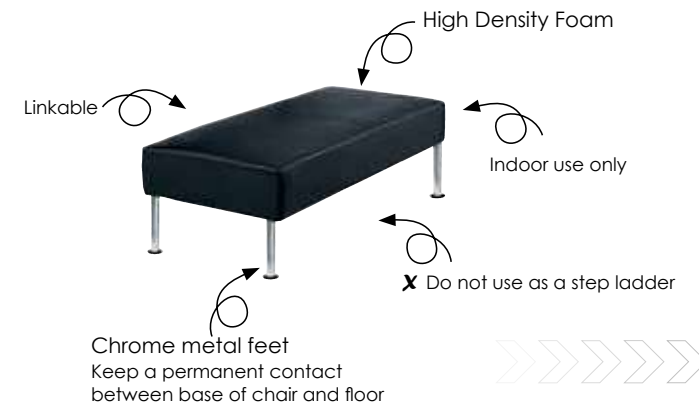


TECHNO-1



TECHNO-B

INSTRUCTIONS OF USE



R8 ORION

SOFT SEATING



COLOUR



FEATURES

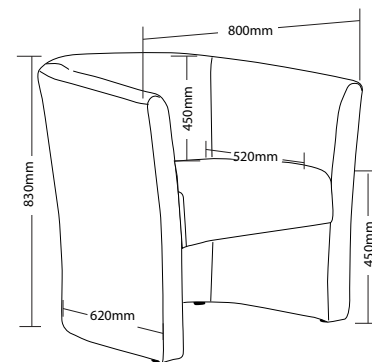
- » Steel frame
- » High density foam
- » Plastic feet
- » Suitable for indoor use only
- » Available in black PU only
- » 3 Year warranty
- » Weight limit is 120kg

ORION

SIZE



Front view



ORION



ORION

INSTRUCTIONS OF USE



R8 RUBY



SOFT SEATING



COLOUR



B-Black R-Red W-White

FEATURES

- » Steel frame
- » Stainless steel legs
- » Suitable for indoor use only
- » Available in black, red and white PU only
- » 5 Year warranty
- » Weight limit is 120kg

RUBY



RUBY-R

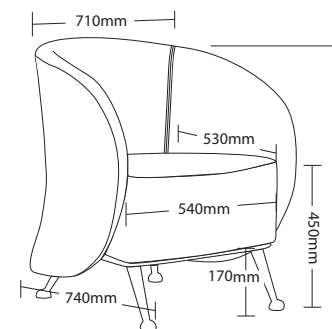


Ruby-B



Ruby-W

SIZE



RUBY

INSTRUCTIONS OF USE



SOFT SEATING



COLOUR



FEATURES

- » Stainless steel frame
- » Solid timber inner frame
- » High density foam
- » Suitable for indoor use only
- » Optional 1 or 2 seater
- » Available in black PU only
- » 5 Year structural warranty
- » Weight limit is 130kg per seat

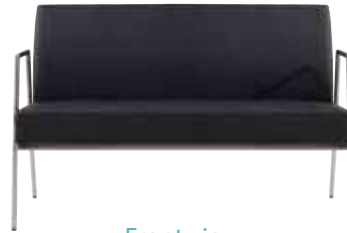
RIVET



RIVET-1



Back view

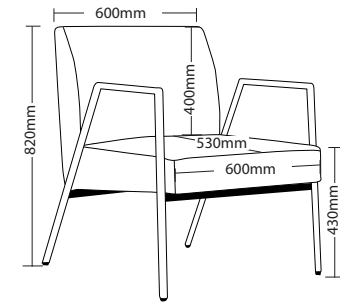


Front view

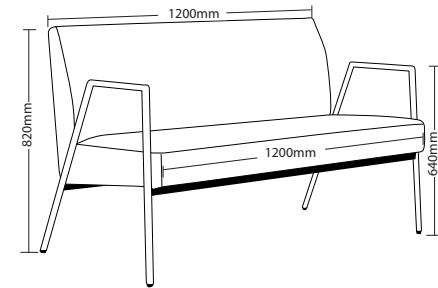


RIVET-2

SIZE



RIVET-1



RIVET-2

INSTRUCTIONS OF USE



R8 JADEN

SOFT SEATING



» COLOUR



» FEATURES

- » Stainless steel frame
- » Solid timber inner frame
- » High density foam
- » Suitable for indoor use only
- » Optional 1 or 2 seater
- » Available in black PU only
- » 5 Year structural warranty
- » Weight limit is 130kg per seat

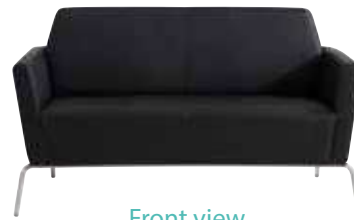
JADEN



JADEN-1



Back view

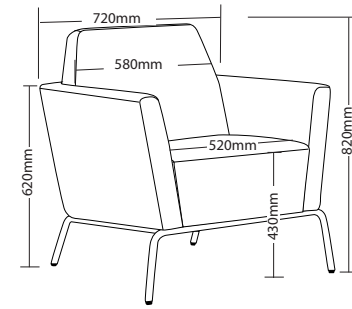


Front view

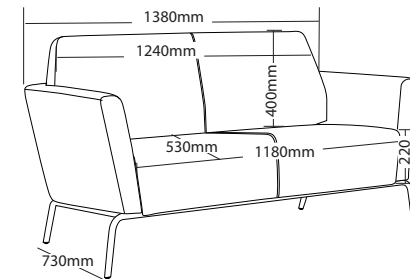


JADEN-2

SIZE



JADEN-1



JADEN-2

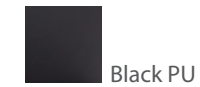
INSTRUCTIONS OF USE



SOFT SEATING



COLOUR



Black PU

FEATURES

- » Solid hardwood frame
- » Stainless steel feet
- » Zig zag steel spring
- » Webbed base
- » Pocket spring seat
- » Loose cushions upholstered both sides
- » Suitable for indoor use only
- » Available in single, double or triple seat options
- » Available in black PU only
- » 5 Year warranty
- » Weight limit is 130kg per seat

PLAZA

SIZE



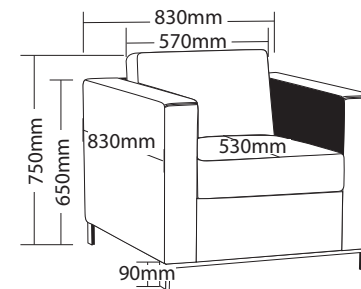
PL-2



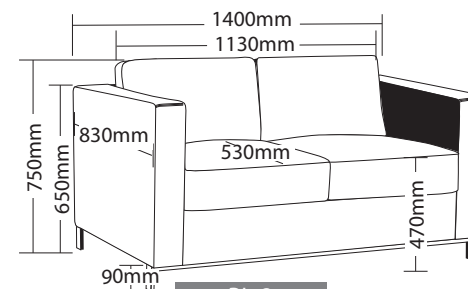
PL-1



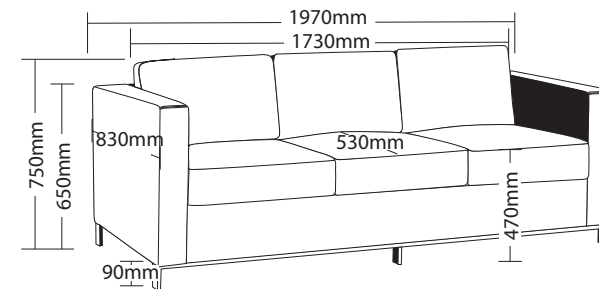
PL-3



PL-1



PL-2



PL-3



R8 ROXA



SOFT SEATING



COLOUR



Black PU

FEATURES

- » Solid hardwood frame
- » Zinc legs
- » High density foam
- » Suitable for indoor use only
- » Available in 1 and 2 seater
- » Available in black PU only
- » 5 Year warranty
- » Weight limit is 130kg per seat

ROXA



ROXA-PU1

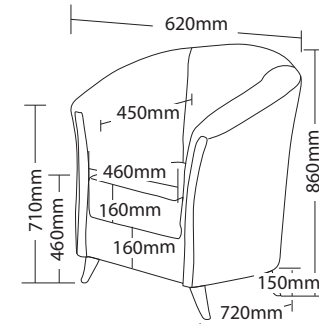


Back view

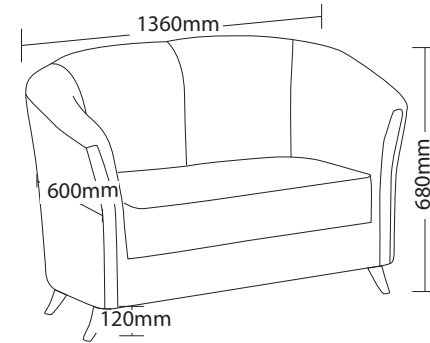


ROXA-PU2

SIZE



ROXA-PU1



ROXA-PU2

INSTRUCTIONS OF USE



R8 BLITZ

SOFT SEATING



» COLOUR



» FEATURES

- » Plywood frame
- » Zig zag steel spring
- » High density foam
- » Chrome feet
- » Suitable for indoor use only
- » Available in black PU
- » 5 Year warranty
- » Weight limit is 120kg

BLITZ



BLITZ-P

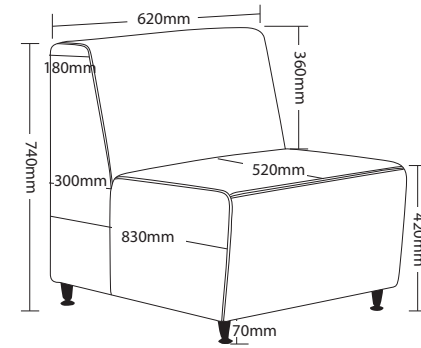


Side view



Front view

SIZE



BLITZ

INSTRUCTIONS OF USE

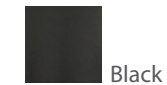


R9 INDUSTRIAL STOOLS

STOOLS



COLOUR



Black

FEATURES

- » Adjustable seat height
- » Adjustable back height (ST007 only)
- » Adjustable seat angle (ST007 only)
- » Optional drafting kit
- » Optional glides or brake castors
- » 600mm Black nylon base
- » Available in black only
- » 5 Year warranty
- » Weight limit is 120kg

SIZE

- » On next page

INSTRUCTIONS OF USE

- » On next page

INDUSTRIAL STOOLS



ST007D



ST001



ST001D



ST005



ST005D



ST006



ST006D



ST007



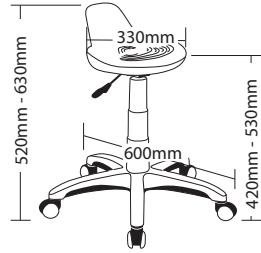
ST008



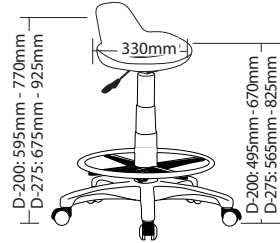
ST008D



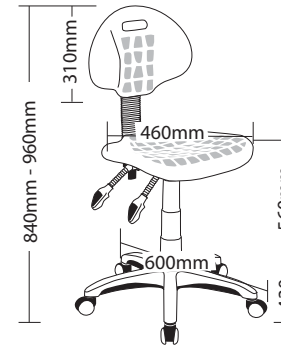
SIZE



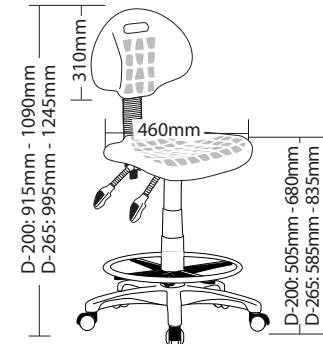
ST001



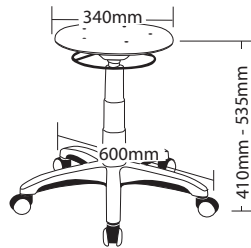
ST001D



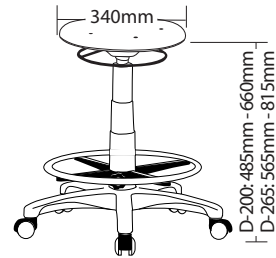
ST007



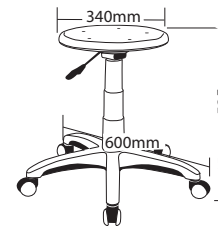
ST007D



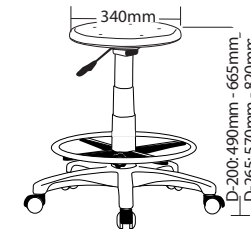
ST005



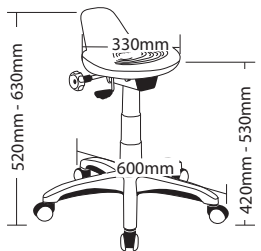
ST005D



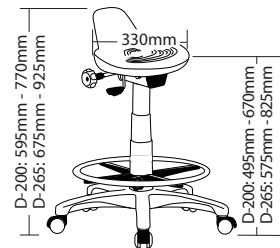
ST008



ST008D



ST006



ST006D

ST001, ST008 INSTRUCTIONS OF USE



ST006 INSTRUCTIONS OF USE



ST005 INSTRUCTIONS OF USE



ST007 INSTRUCTIONS OF USE



R10 ERGO LIFT

ADJUSTABLE TABLES



» Table Top is not included



» COLOUR



White powder coating

» FEATURES

- » Adjustable height (600mm lowest- 1250mm highest)
- » Adjustable frame width
- » Adjustable feet
- » Optional with return (left or right)
- » Optional 120 degree angle
- » Optional single leg
- » Heavy duty frame
- » Easy to use also has an anti collision sensor
- » White powder coating only
- » AFRDI approved
- » 7 Year warranty
- » Weight limit is 160kg

ERGO LIFT



SIZE

» On next page



EL-DD



EL-SWITCH



EL-C2



EL-C3



EL-TABLE



EL-DESK



» Table Top is not included



COLOUR

White powder coating

FEATURES

- » Adjustable height (600mm lowest- 1250mm highest)
» Adjustable frame width
» Adjustable feet
» Optional with return (left or right)
» Optional 120 degree angle
» Optional single leg
» Heavy duty frame
» Easy to use also has an anti collision sensor
» White powder coating only
» AFRDI approved
» 7 Year warranty
» Weight limit is 160kg



EL-D120



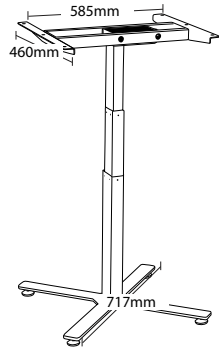
EL-DRL



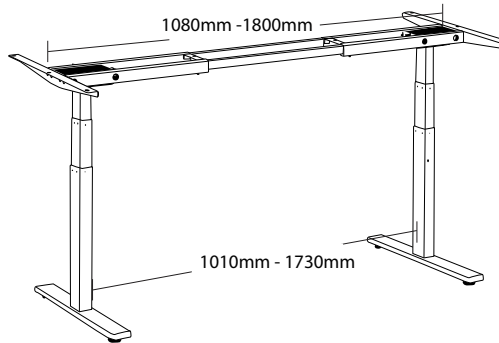
EL-DRR

» Table Top is not included

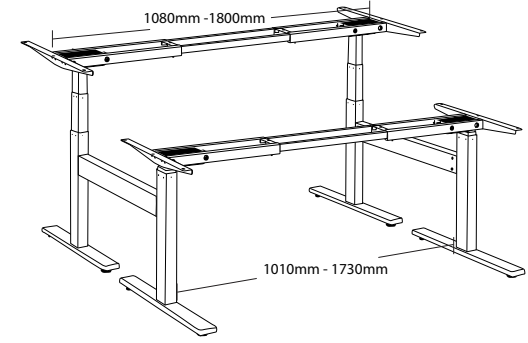
SIZE



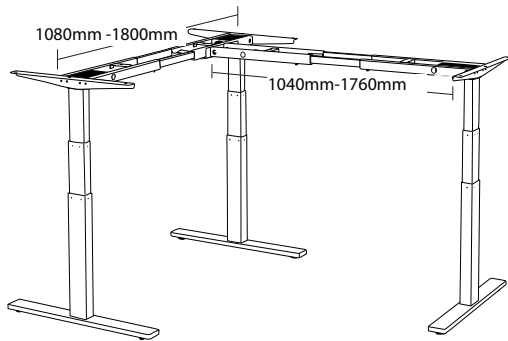
EL-TABLE



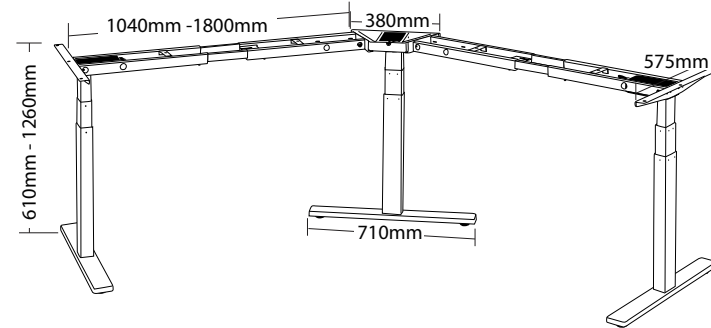
EL-DESK



EL-DD



EL-DR



EL-D120

INSTRUCTIONS BOOKLET COMES WITH PACKAGE





MaxwellBeau

**OUR INNOVATION,
YOUR REALITY**

Head Office – Unit 8/15 John Duncan Ct
VARSITY LAKES QLD 4227

Postal - PO Box 3327, NERANG DC QLD 4211

0431 581 169

beau@maxwellbeau.com.au

www.maxwellbeau.com.au